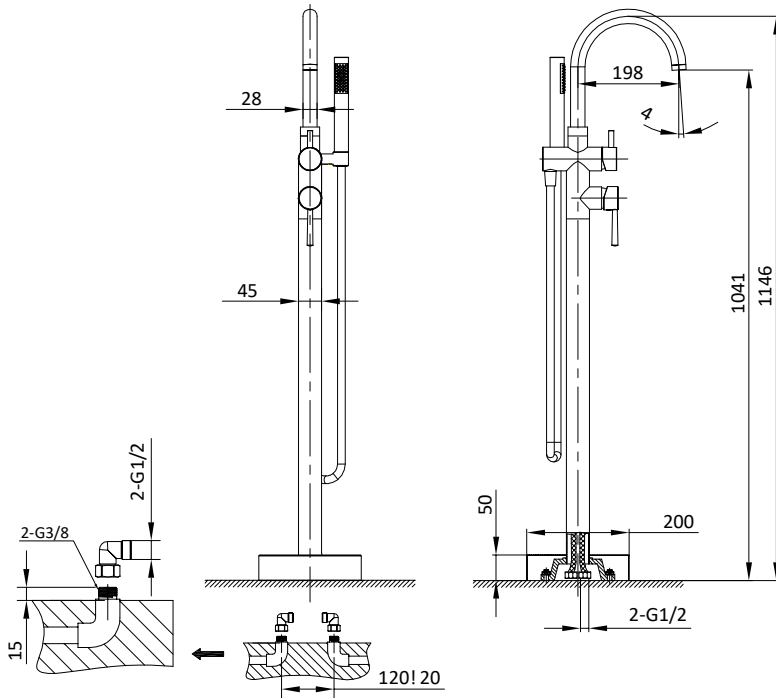
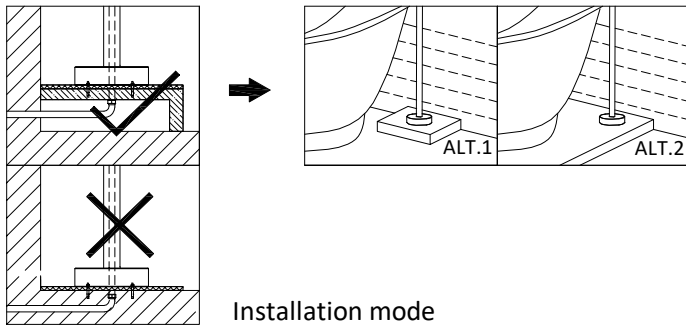


bathlife®

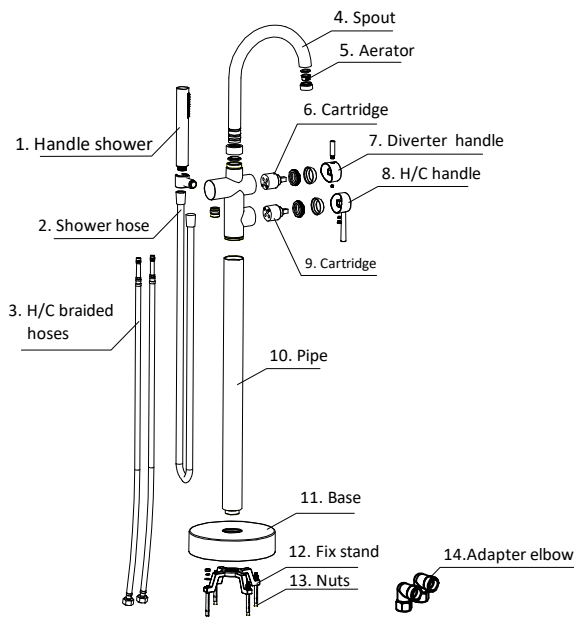
Floor standing mixer



! "# \$ % & ' 0 * \$ + &



Installation mode



Product accessories

Installation Instruction

1. Supply lines should be purged to clean impurities before connecting the unit.
2. Please set up hot and cold water supply lines. CC 120! 20 mm. The connectors should be 15 mm from level.
3. Put the fix stand (12) to the correct position. Mark the four points of fix stand and drill four nut holes.
4. Put the base (11) to the pipe, and install the pipe (10) to the fix stand (12).
5. Install the hot and cold braided hoses from the bottom of fix stand, through the pipe to the mixer, and tighten with a spanner.
6. Install the pipe to the mixer.
7. Connect the H/C braided hoses to supply lines accordingly, then tighten with a spanner. Install the fix stand with nuts (13) to finish the installation.
8. Leakage test: turn on/off the H/C handle (8). If no leakage is found, the installation is done.

Application

1. Turn the handle left and right, left for hot water, and right for cold water.
2. Turn on the multifunctional handle; water will come out from tube or handle shower.

Cleaning and maintenance

1. Use soap and water to remove lime stains from chrome surface. Don't use acidic detergents, scouring pads or steel wool; otherwise the chrome parts will be damaged
2. Use soap and water to clean installation accessories, such as plastic or rubber components. Don't use acidic detergents, scouring pads, alcohol cleaners or steel wool.

Data Sheet

| | |
|----------------------|----------------|
| Nominal Diameter | G3/8 |
| General Medium | Water |
| Water Pressure | 0.05Mpa-1.0Mpa |
| Recommended Pressure | 0.1Mpa-0.6Mpa |
| Temperature Range | 4 C - 90 C |