

MONTERINGSANVISNING

ASSEMBLY INSTRUCTIONS

JAKARTA MATBORD

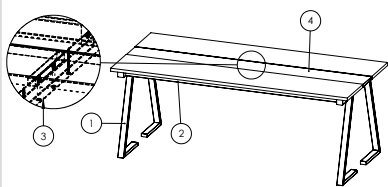
18004-680



Assembly instructions | Monteringsanvisning



ASSEMBLING INSTRUCTION

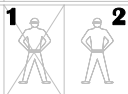


Type : **JAKARTA DINING TABLE**
Art.No : **19004-080**

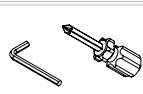
TIME



LABOUR



TOOLS



JAKARTA DINING TABLE

No.	Description	Qty.
1	88888-147 SP JAKARTA DINING TABLE - LEGGS	2
2	FRAME SUPPORT ASSY	2
3	FRAME MIDDLE SUPPORT	1
4	TOP PLATE ASSY	1
5	TOP TABLE	2

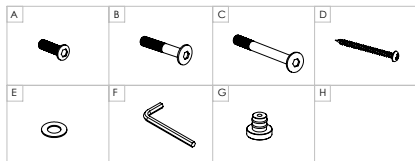
JAKARTA DINING TABLE

No.	Description	Qty.
A	JCBC, M6 x 15 mm	8
B	JCBC, M6 x 35 mm	8
C	JCBC, M6 x 60 mm	6
D	SCREW Ø10 x 216° PAB	12
E	WASHER 4	8
F	M4 ALLEN KEY	1

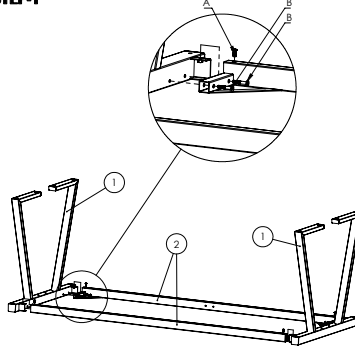
JAKARTA DINING TABLE

No.	Description	Qty.
G	NYLON FOOT CAP	8

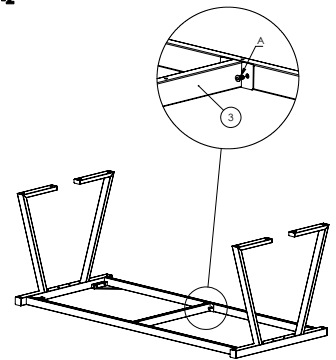
ILLUSTRATION



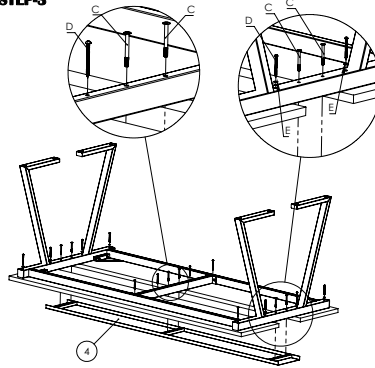
STEP-1



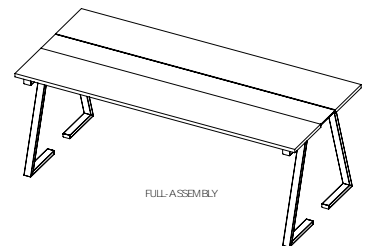
STEP-2



STEP-3



STEP-4



SHEET 1 OF 1

2020

VENTURE DESIGN
HOME & INTERIOR