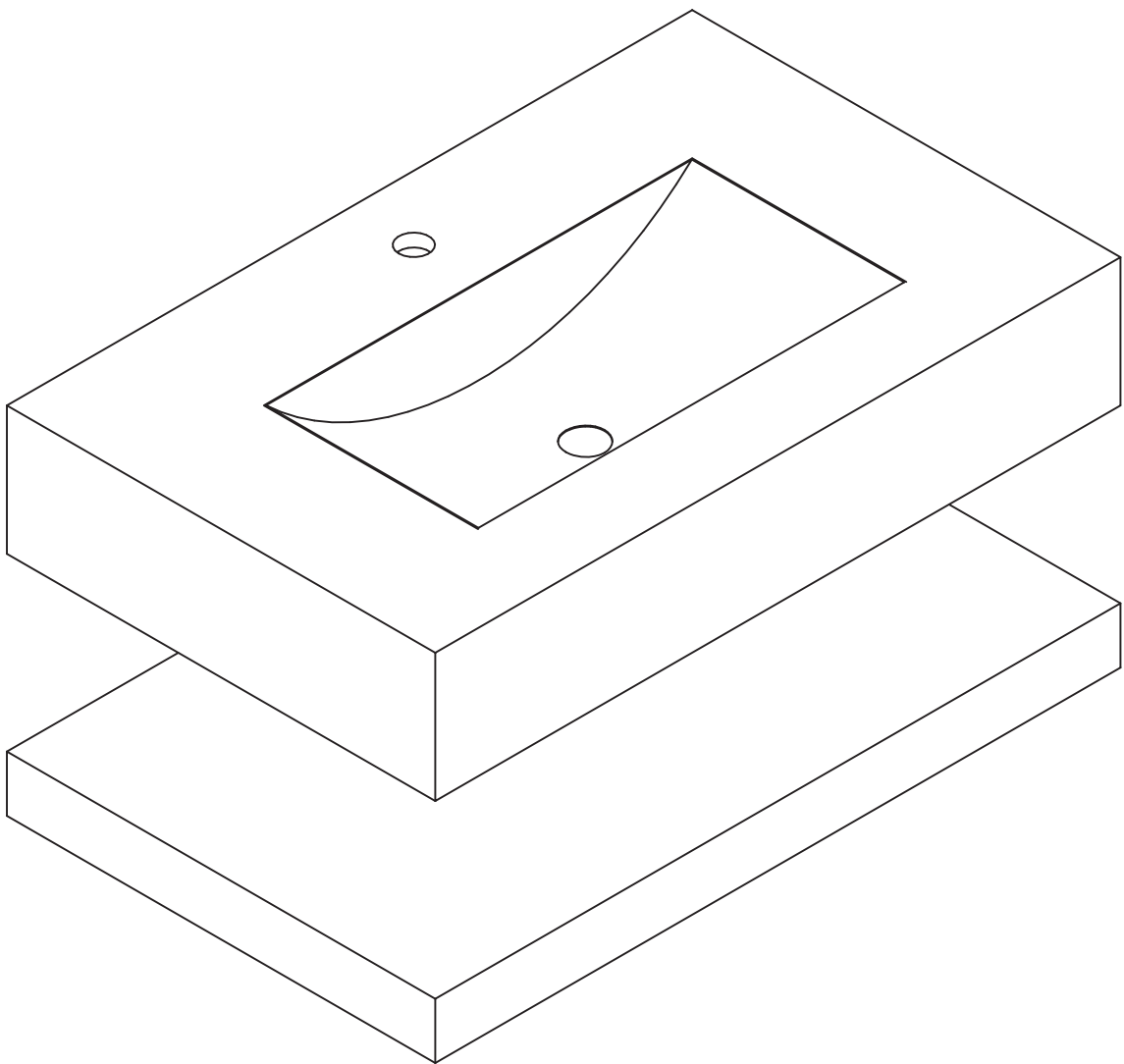


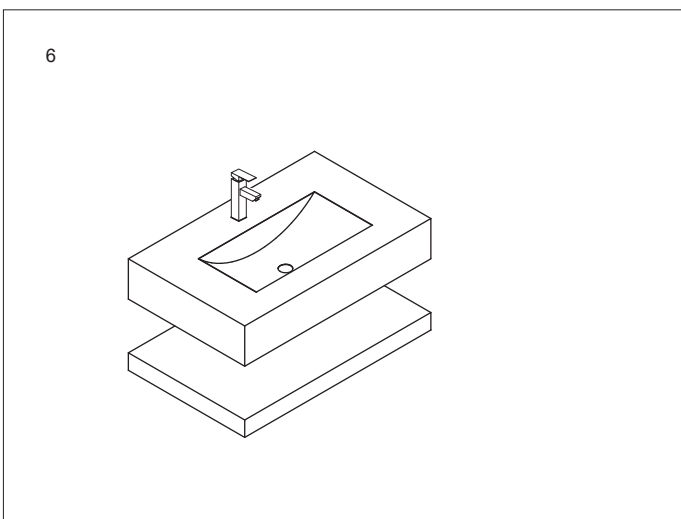
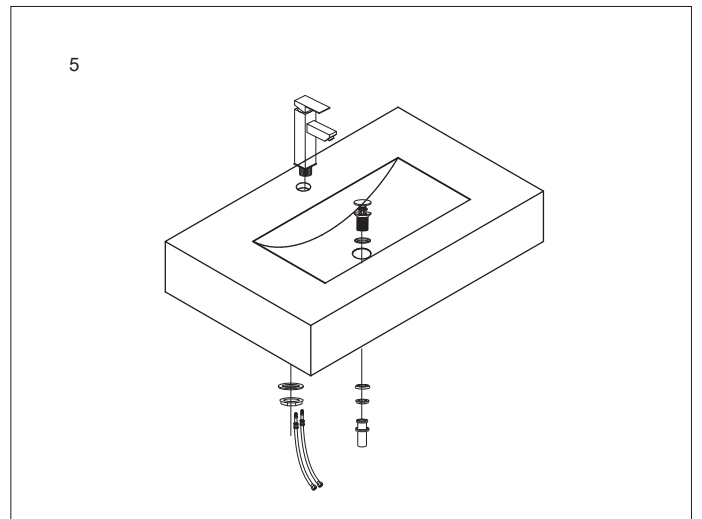
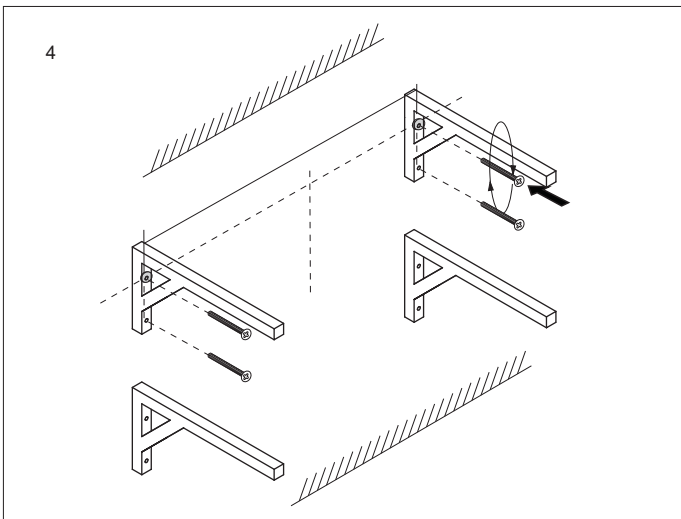
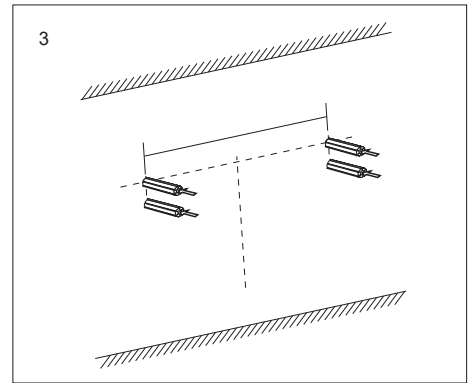
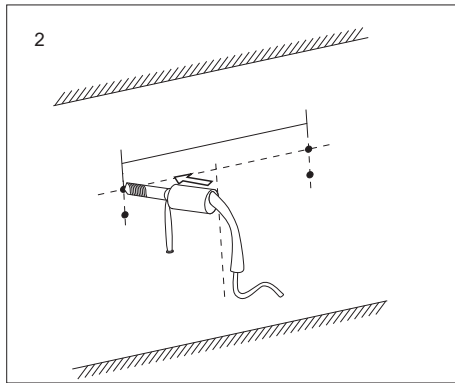
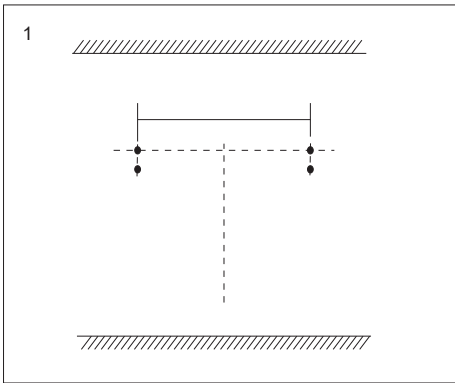
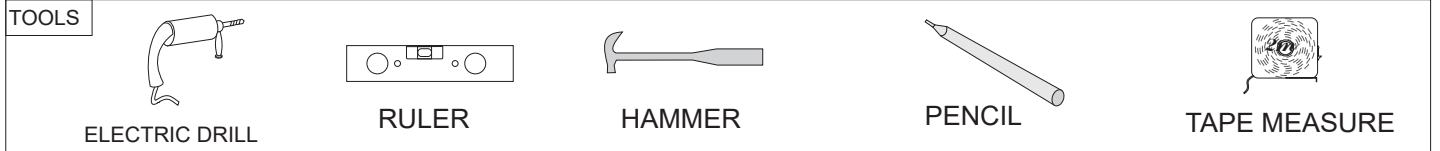
Lyfco[®]



206-6-100

800 X 500MM

Installation manual



Konsumentkontakt

Arc E-commerce AB
Box 3124
13603 Haninge
Sverige