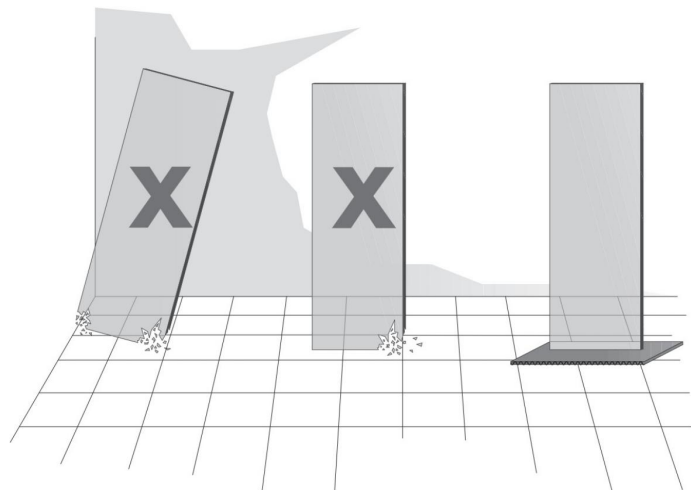


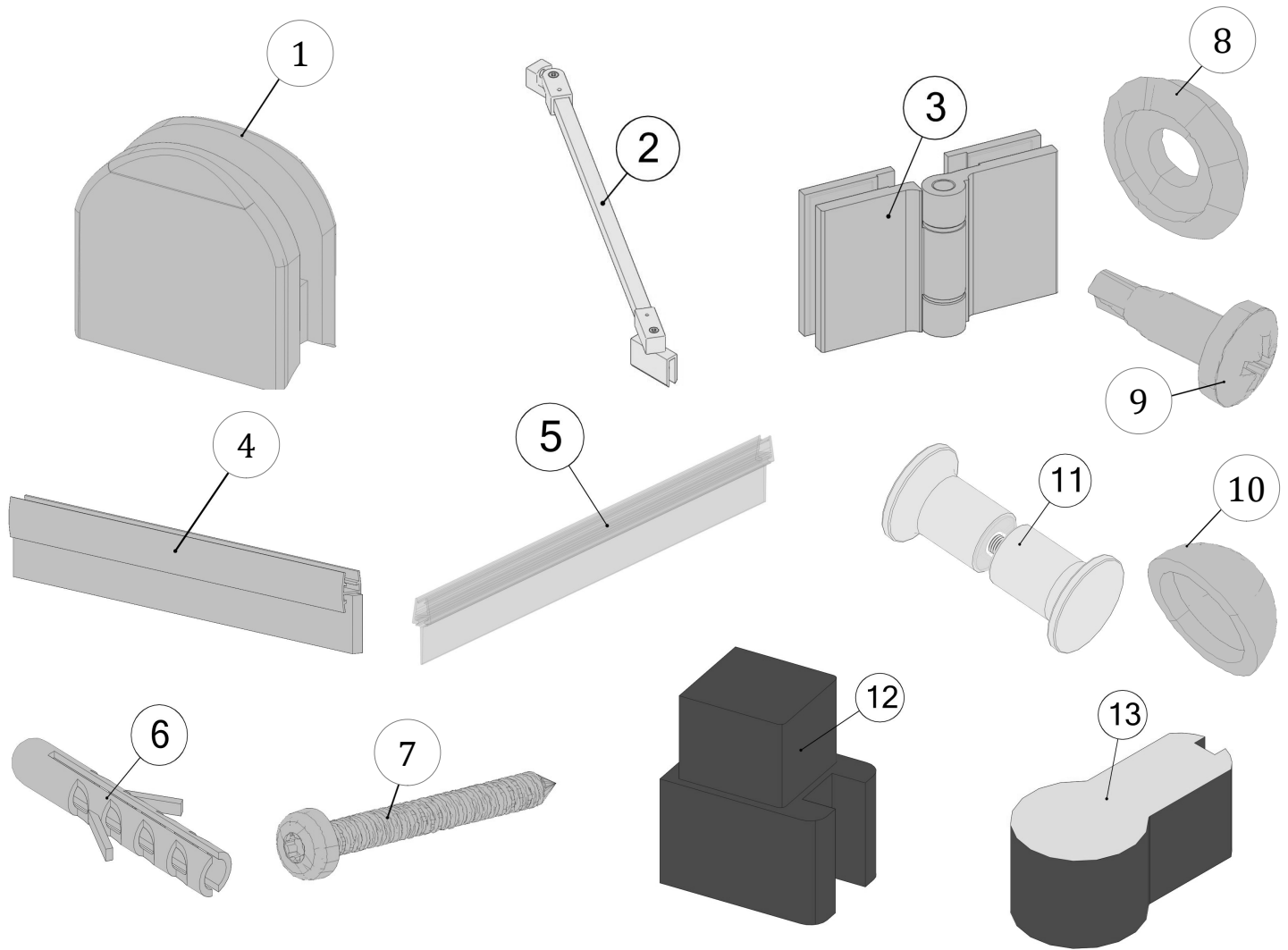


Classic

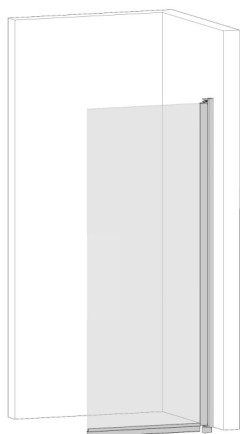


[]101 []102 []103 []122

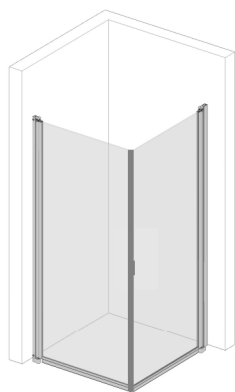




PART	101	102/122	103
1	x 1		
2	x 1		
3			x 2
4	x1		
5		x 1	x 2
6	x 5	x 4	x 4
7	x 5	x 4	x 4
8	x 4	x 4	x 4
9	x 4	x 4	x 4
10	x 4	x 4	x 4
11		x1	x1
12	x1		
13		x1	x1

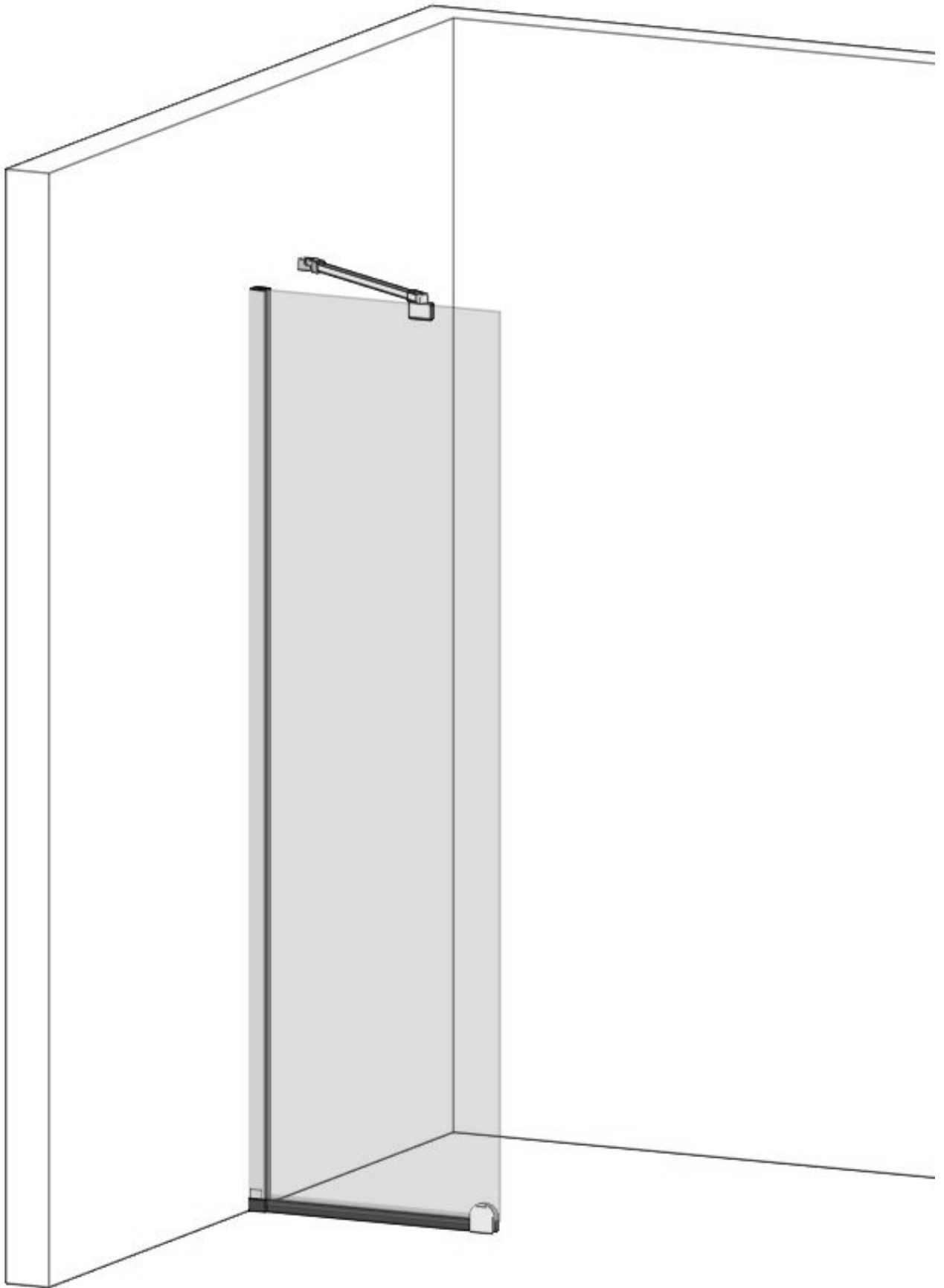


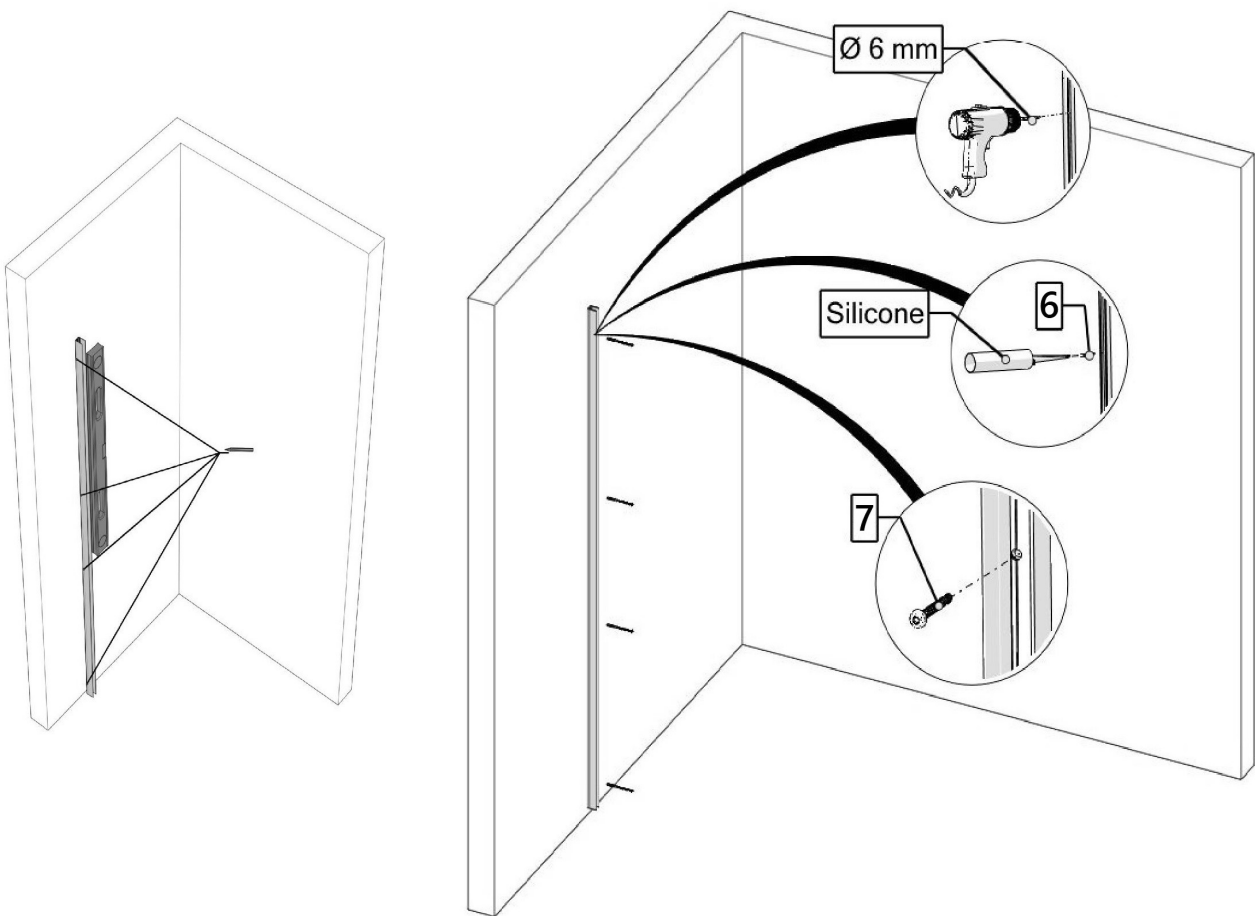
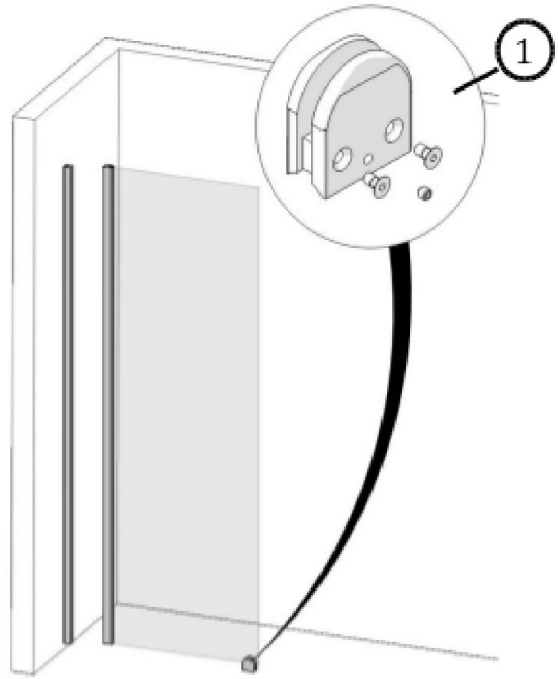
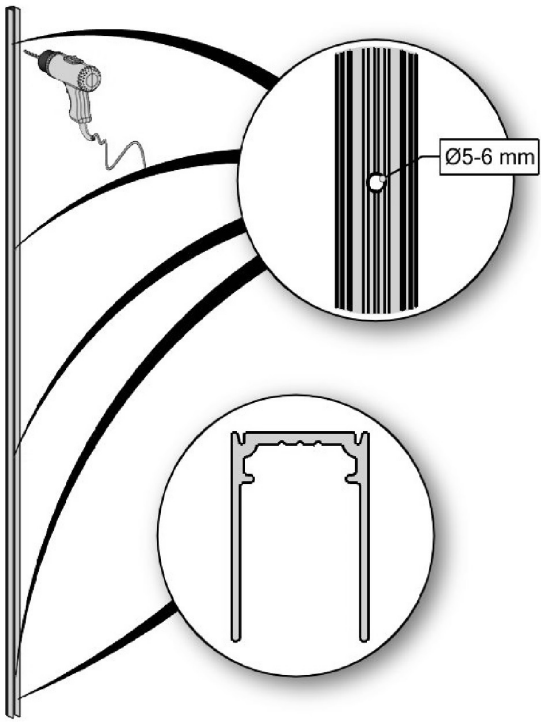
Classic 101	<hr/>	4
Classic 102/122	<hr/>	8
Classic 103	<hr/>	11

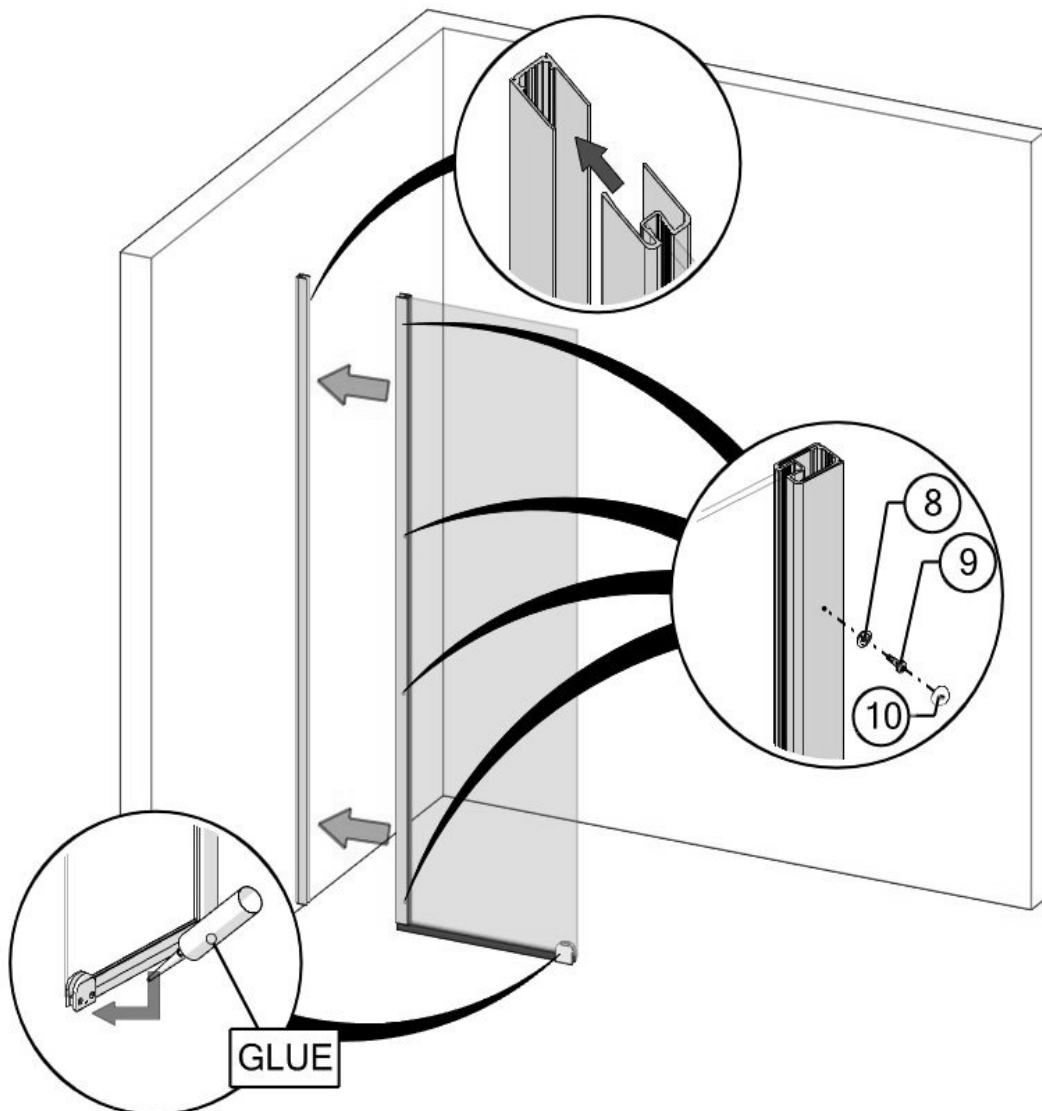
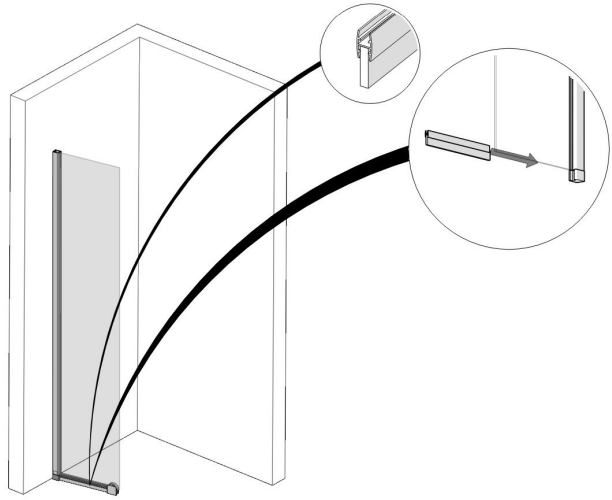
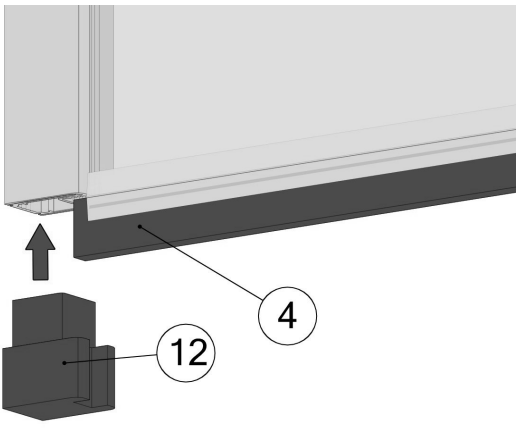


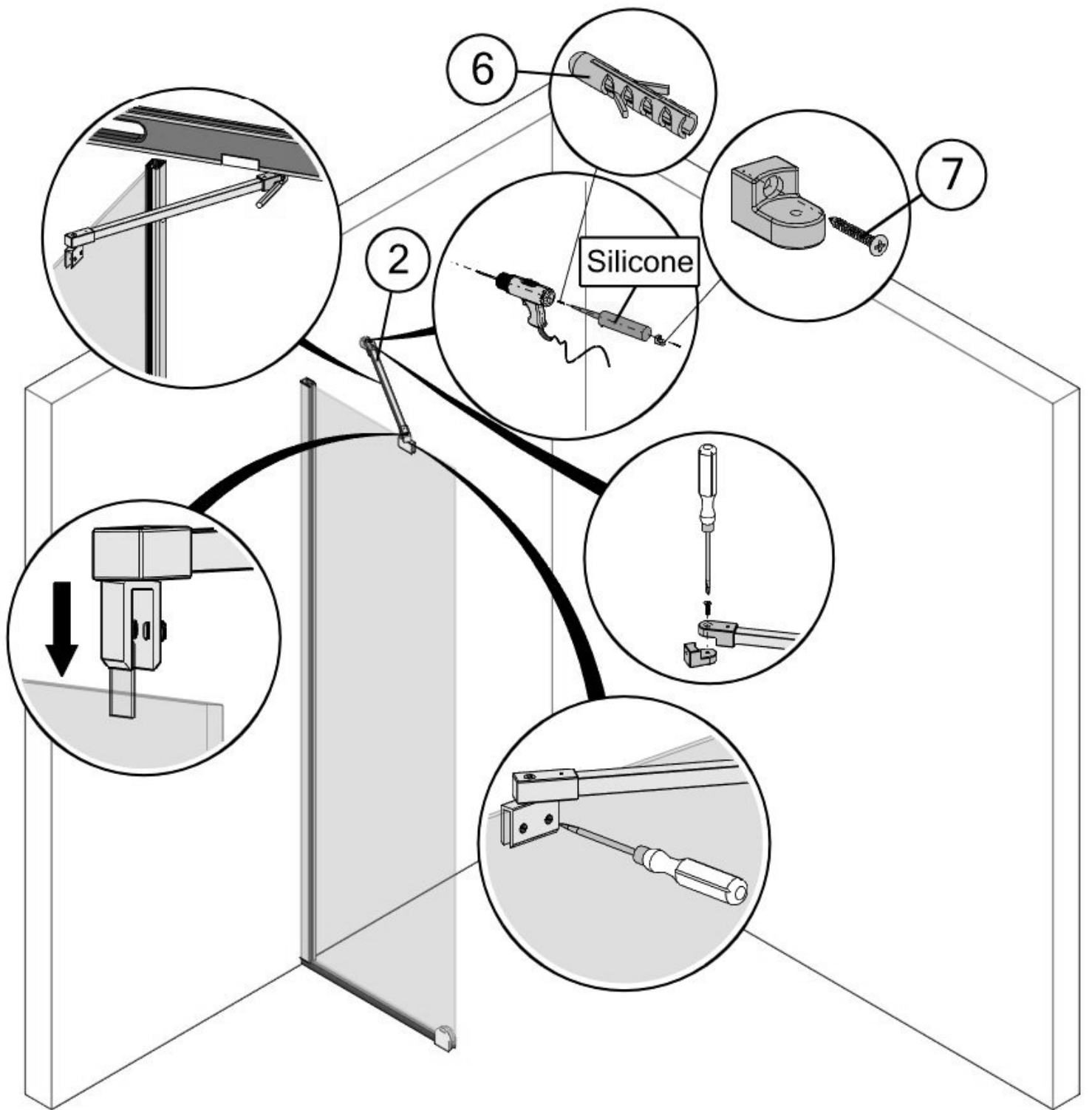
Classic 1XX x 1XX	<hr/>	15
-------------------	-------	----

101

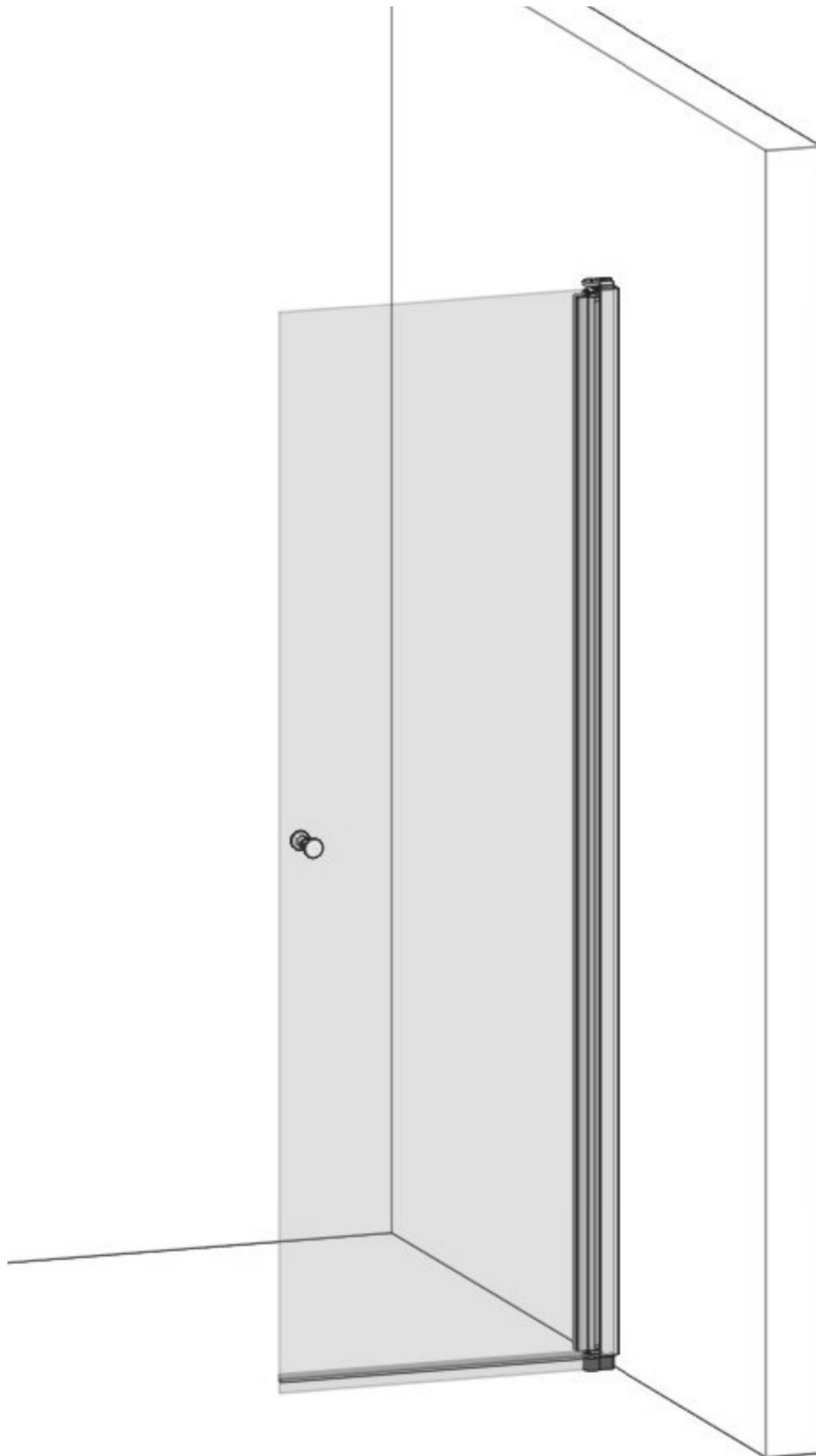


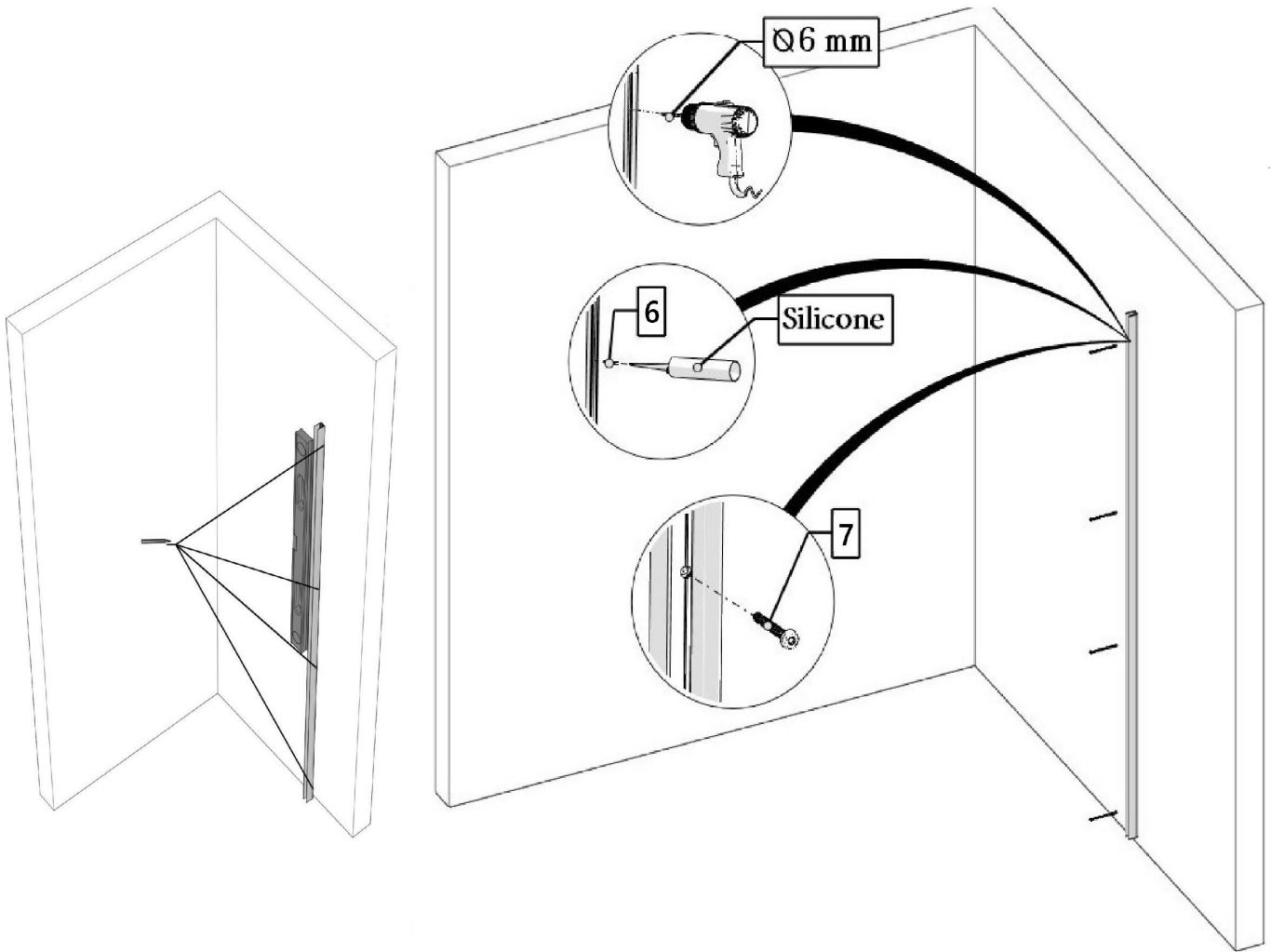
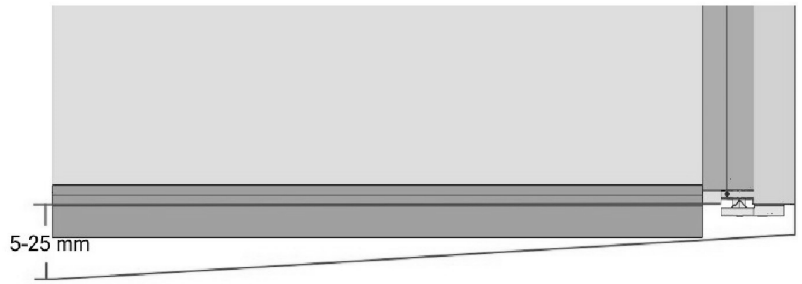
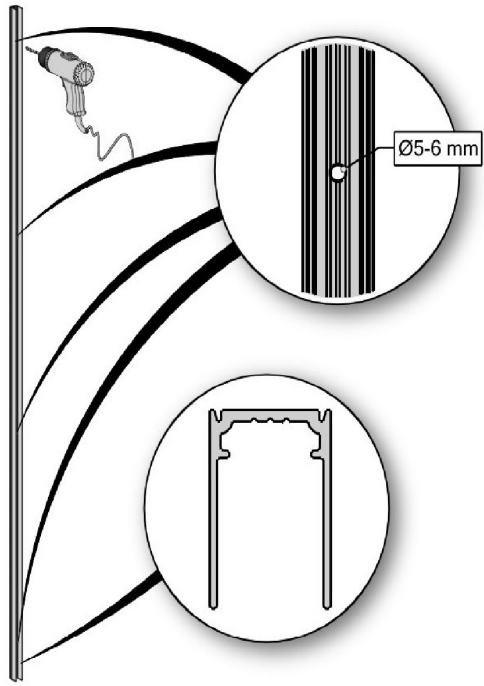


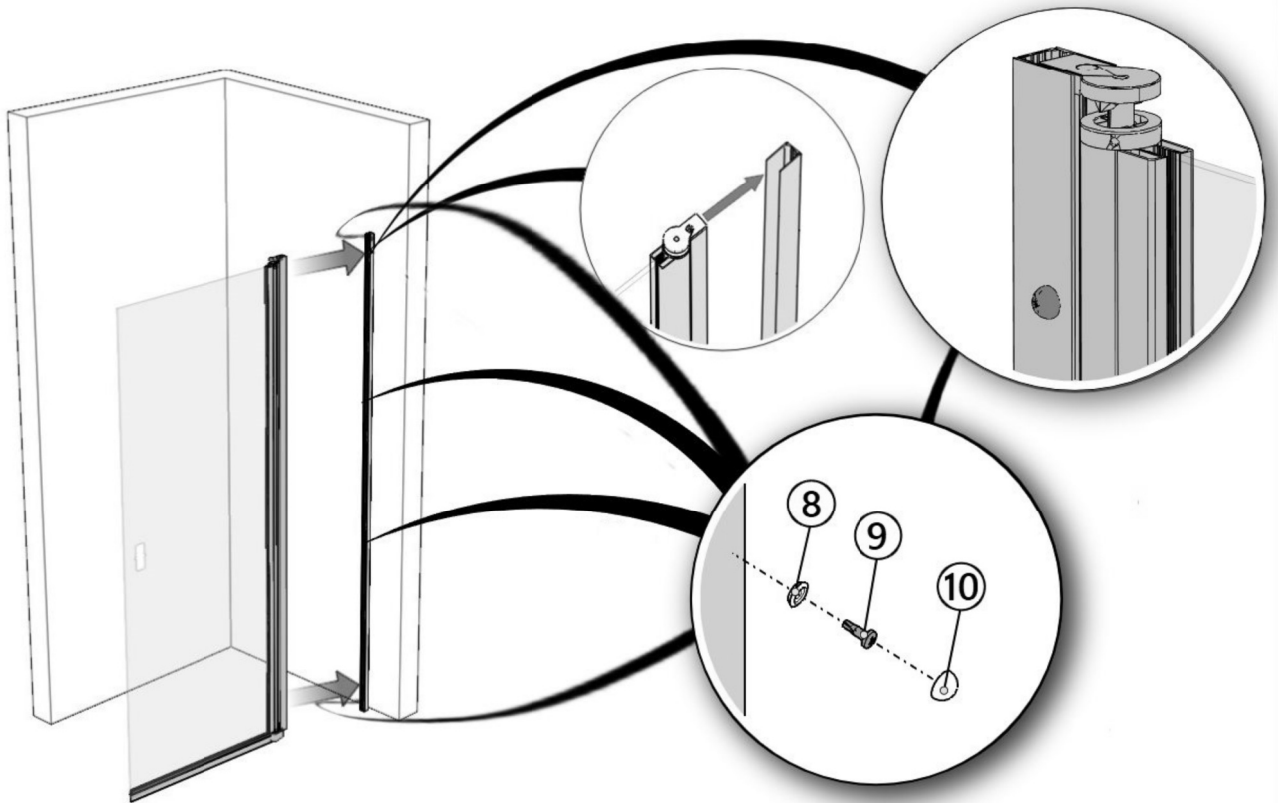
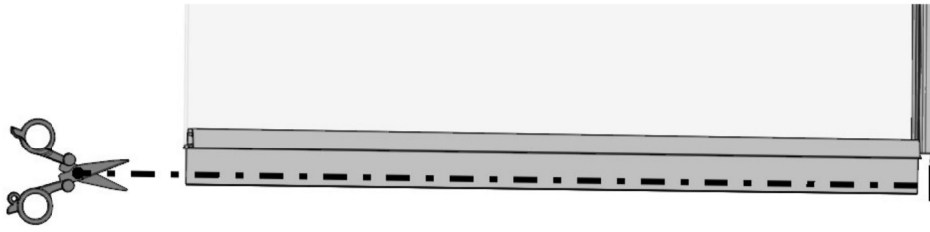
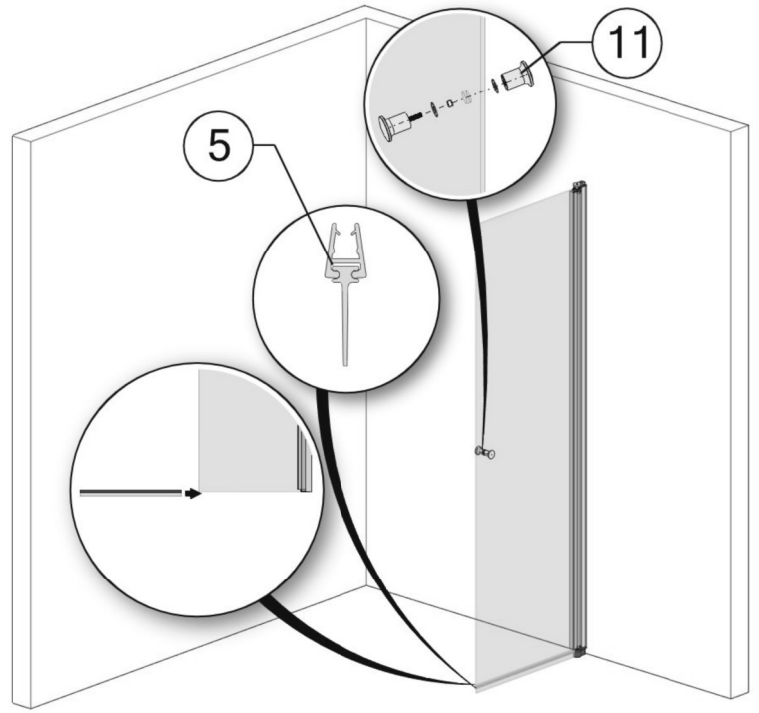
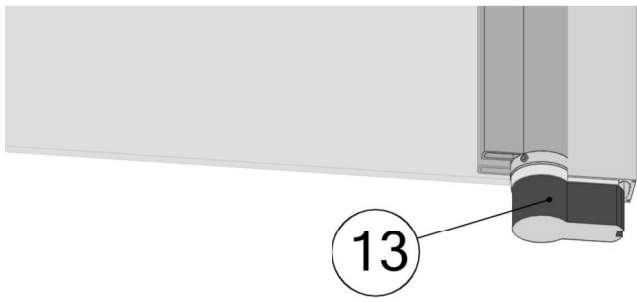




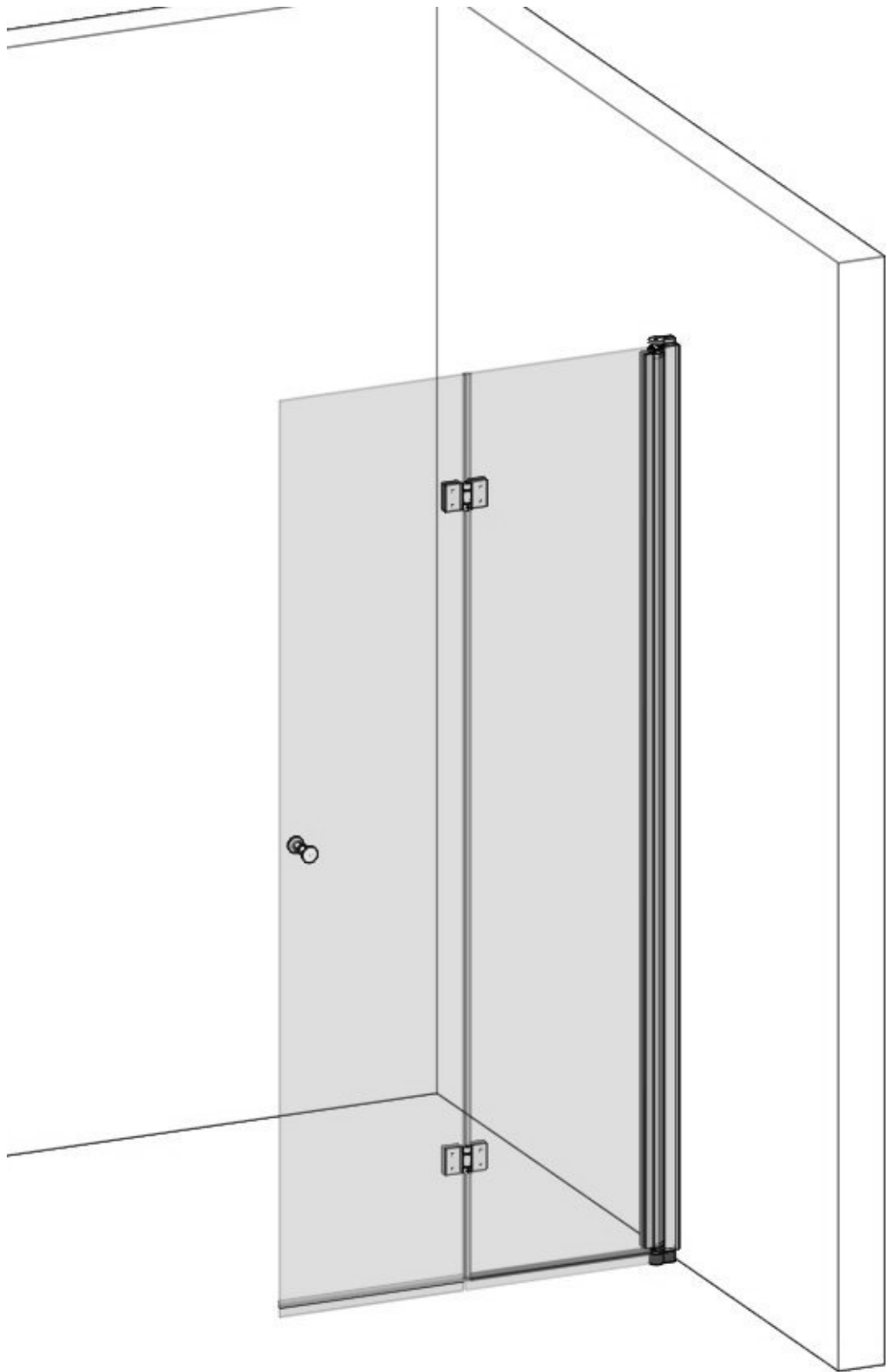
102/122

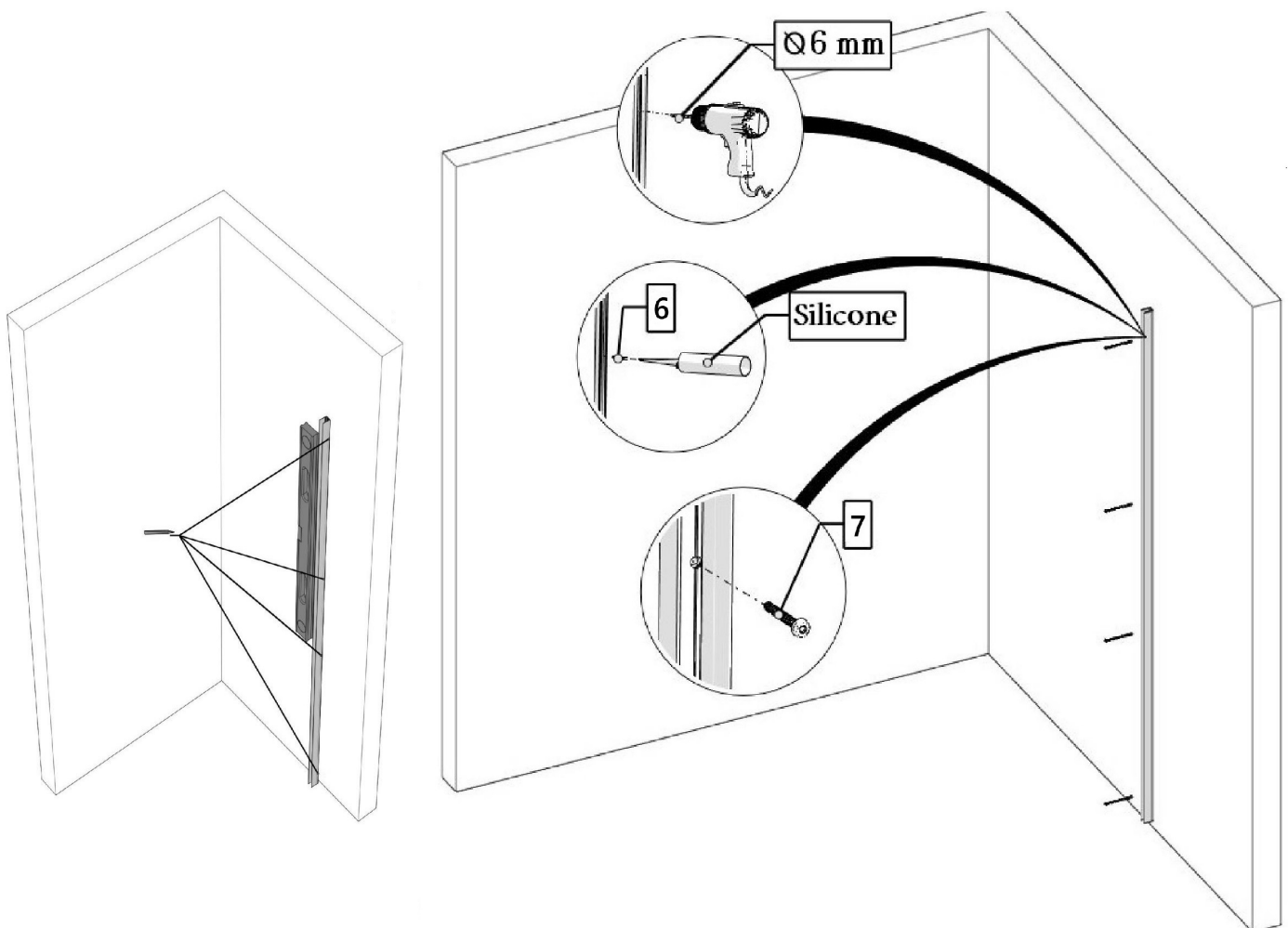
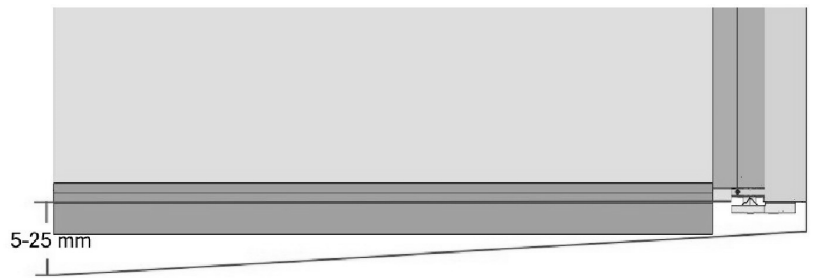
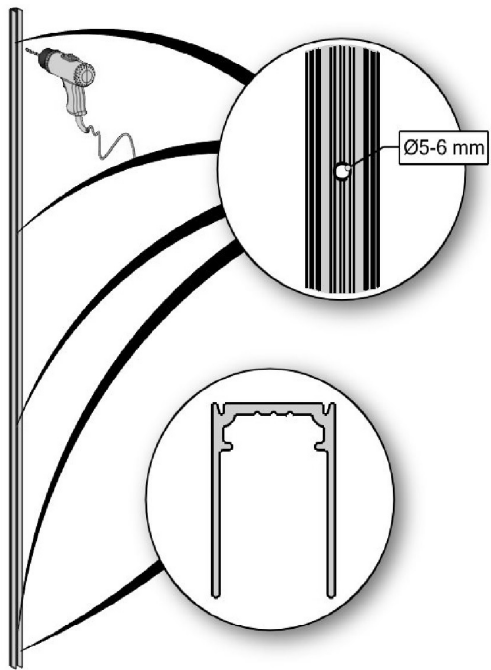


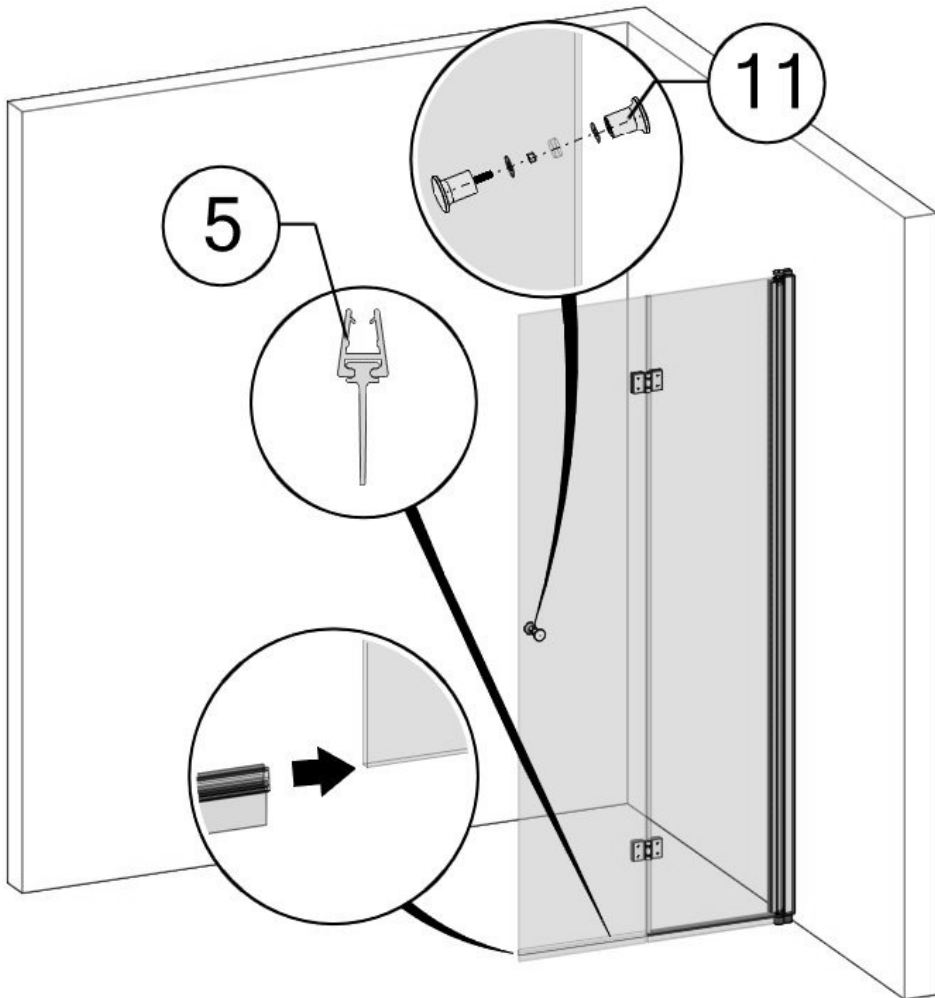
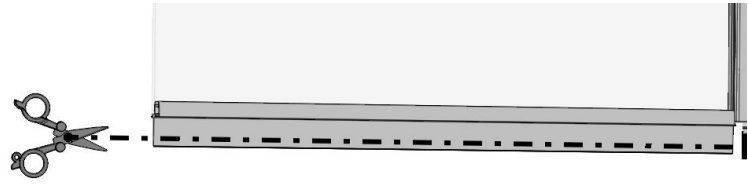
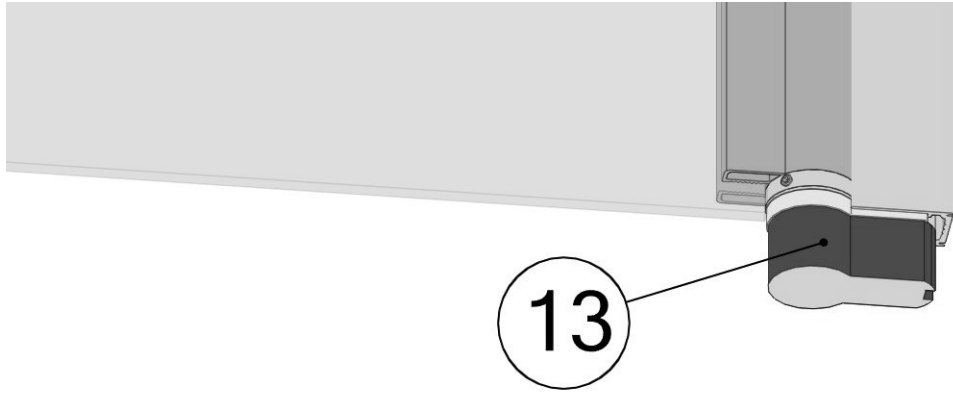


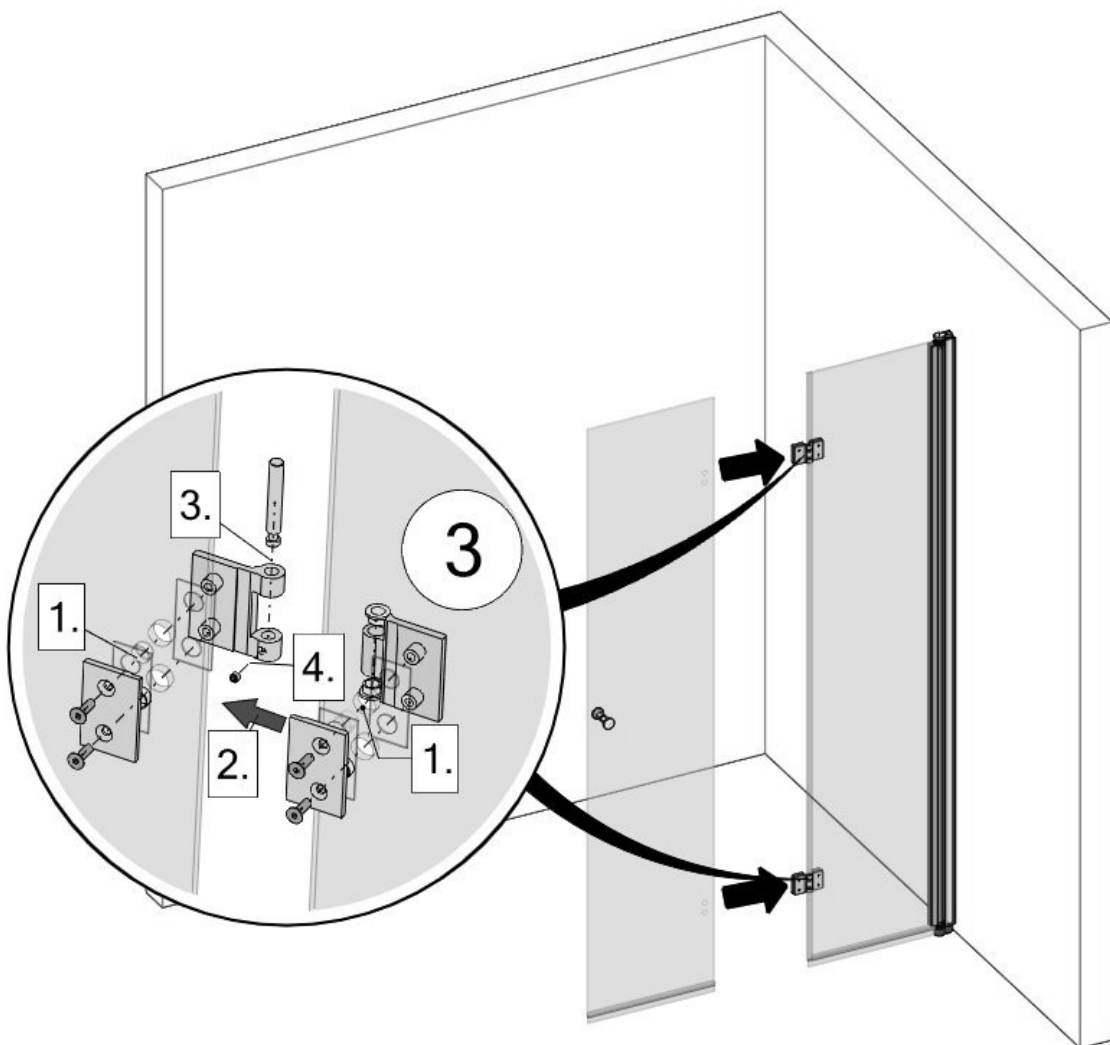
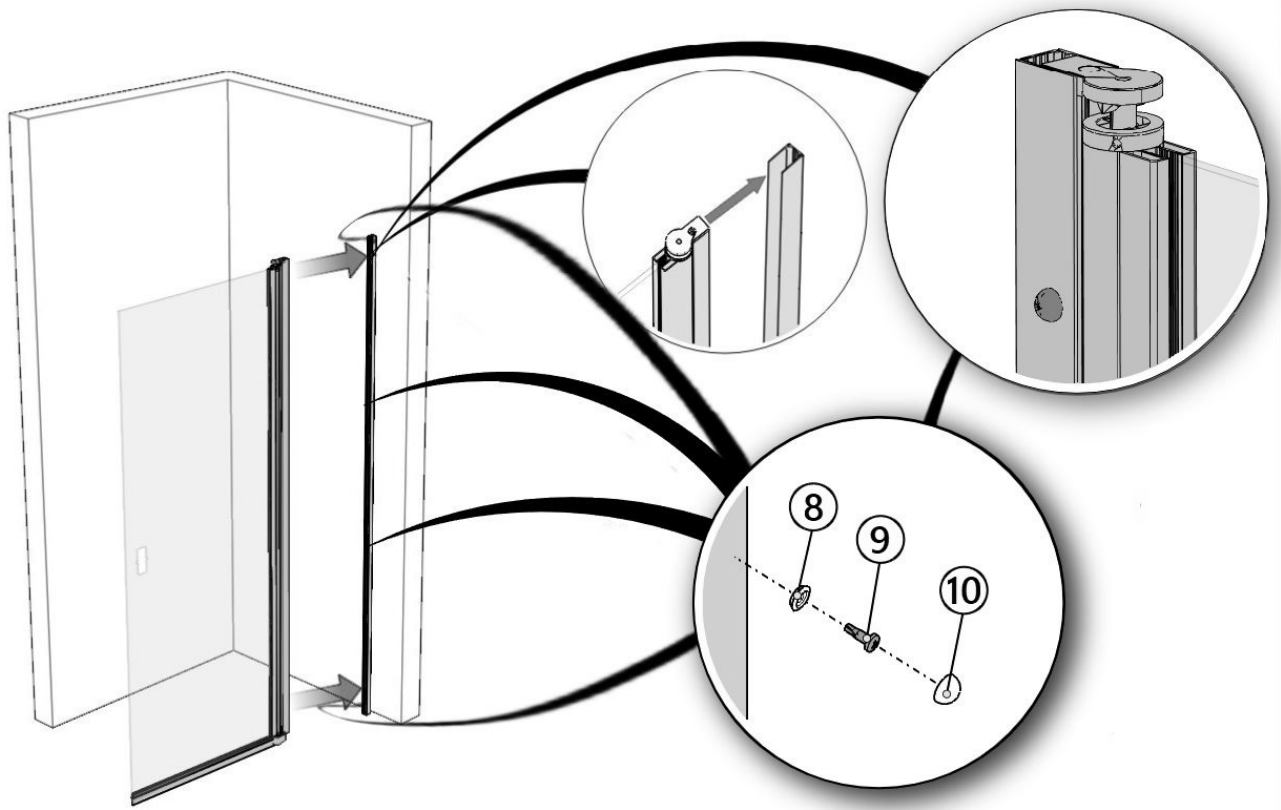


103

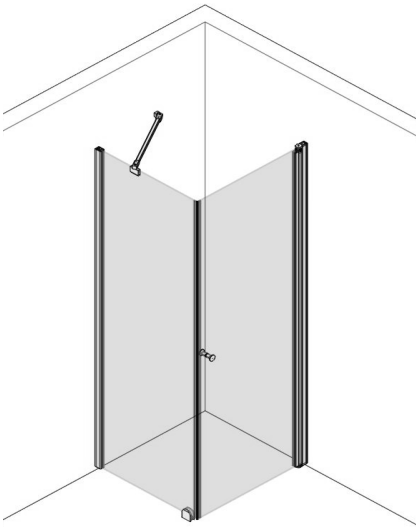




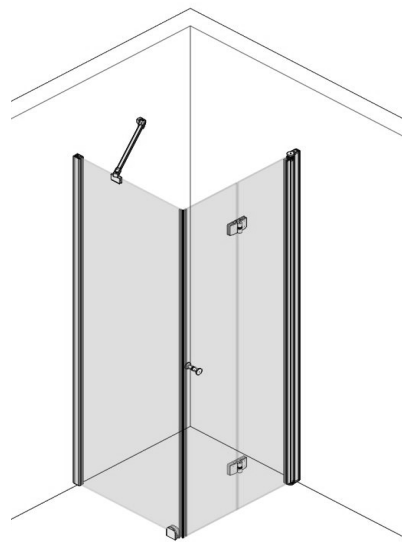




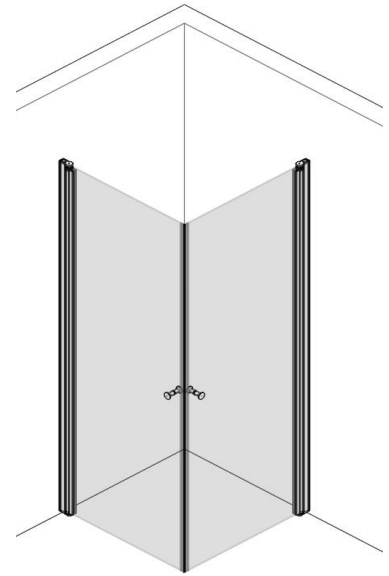
1XX x 1XX



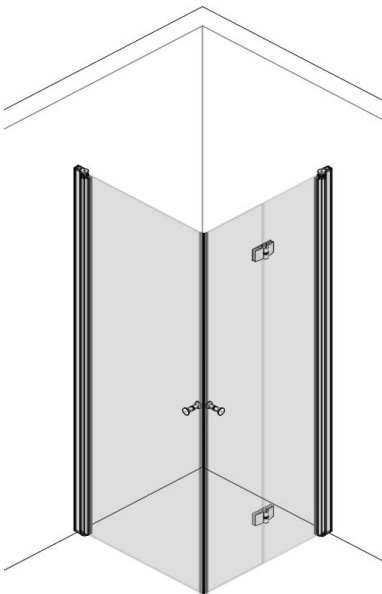
101 x 102



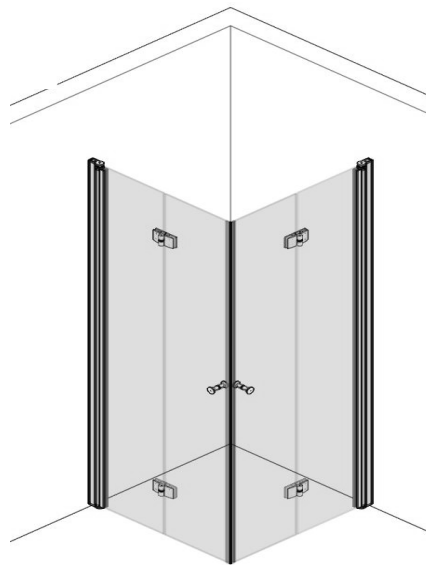
101 x 103



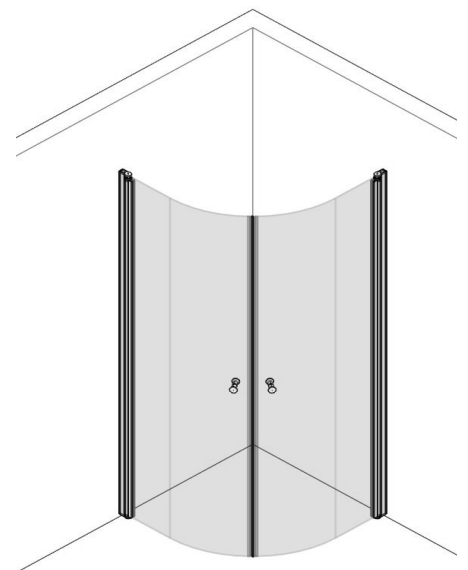
102 x 102



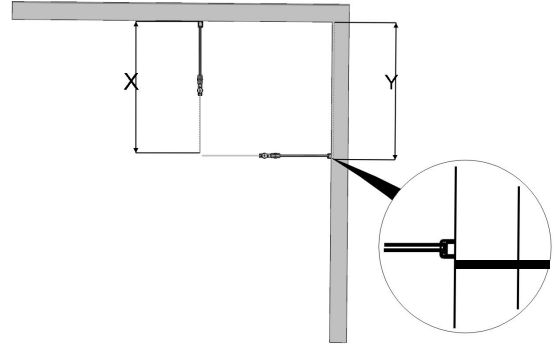
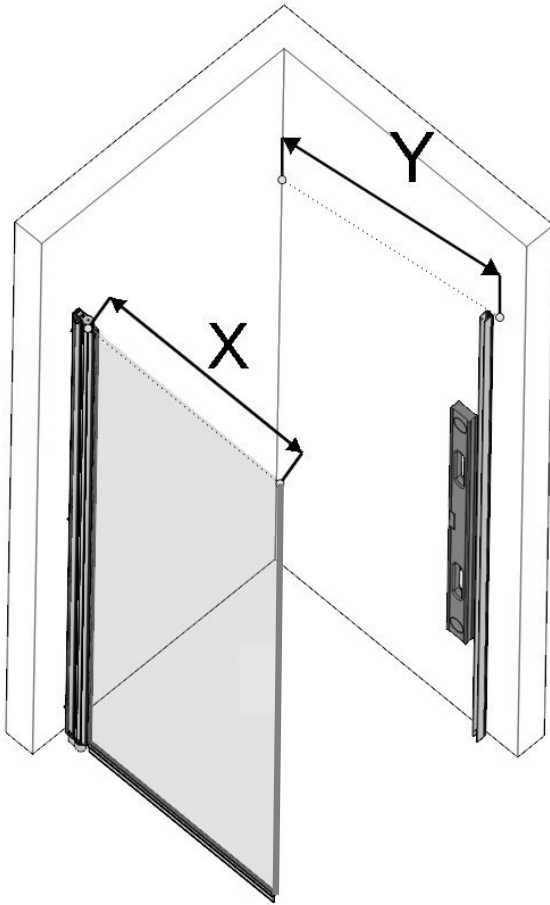
102 x 103



103 x 103



122x122



	X, mm	Y, mm		X, mm	Y, mm
101	629 729 829	652-672 752-772 852-872	102	679 779 879	702-717 802-817 902-917
103	358+308 408+358 458+408	696-711 796-811 896-911	122	638 738	800-815 900-915