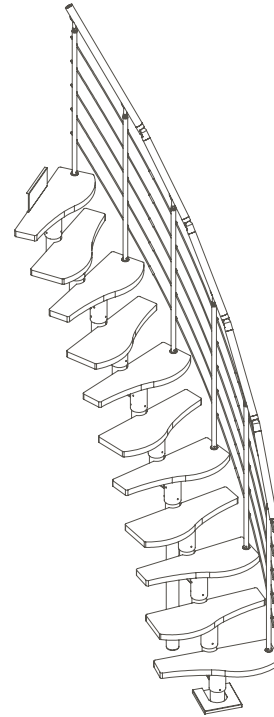
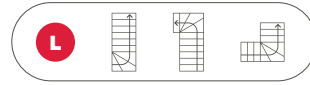
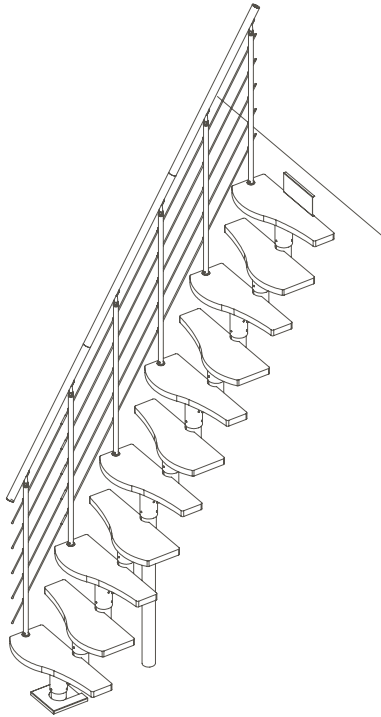


BASEL

**INSTRUCTION / MONTAGEANLEITUNG
INSTRUKTION / INSTRUCCIÒN / INSTRUKCJA**



	Height floor-to-floor	Rise height	Number of treads
	Geschosshöhe	Steigungshöhe	Anzahl Stufen
	Hauteur sol-sol	Hauteur de marche	Nombre de marches
	Altura de suelo/suelo	Altura de peldaños	Numero de peldaños
	Altura do chão / chão	Altura do degrau	Número de etapas (degraus)
	Hoogte vloer/vloer	Hoogte trede	Aantal treden
	Etagehøjde	Stigningshøjde	Antal trin
	Golv till golv höjd	Stigningshöjd	Antal steg
	Wysokość kondygnacji od podłogi do podłogi	Wysokość stopnia	Ilość stopni
	Înălțime sol-sol	Înălțime treaptă	Număr trepte
	Výška patra podlaha-podlaha	Výška schodu	Počet nášlapů
	Висота от пола до пола	Шаг ступени	Кол-во ступеней
	Aukšto aukštis	Pakopos aukštis	Pakopų kiekis
	Stāva augstums	Pakāpiena augstums	Pakāpienu skaits
	Korruse kõrgus	Astme kõrgus	Astmete arv
	Višina nadstropja	Višina stopnice	Število stopnic
	Visina kata	Visina stepenice	Broj stepenica
	Výška podlažia	Výška stupňa	Počet stupňov

1

x 1
 K2-1077200 RAL 7016
 K2-1077201 RAL 9005
 K2-1077202 Pearl grey
 K2-1077203 RAL 9016

2

11	12	13	14	15	
x	8	9	10	11	12

x 1
 K2-1077205 RAL 7016
 K2-1077206 RAL 9005
 K2-1077207 Pearl grey
 K2-1077208 RAL 9016

3

x 1
 K2-1077220 RAL 7016
 K2-1077221 RAL 9005
 K2-1077222 Pearl grey
 K2-1077223 RAL 9016

4

x 1
 K2-1077225 RAL 7016
 K2-1077226 RAL 9005
 K2-1077227 Pearl grey
 K2-1077228 RAL 9016

5

x 1
 K2-1077210 RAL 7016
 K2-1077211 RAL 9005
 K2-1077212 Pearl grey
 K2-1077213 RAL 9016

6

11	12	13	14	15	
x	0	0	1	1	1

Ø66

K1-1077280 RAL 7016
 K1-1077281 RAL 9005
 K1-1077282 Pearl grey
 K1-1077283 RAL 9016

7

11	12	13	14	15	
x	6	6	7	7	8

Ø45

K1-1077203

8

Ø67
802

x	
11	0
12	0
13	1
14	1
15	1

K1-1077290 RAL 7016
 K1-1077281 RAL 9005
 K1-1077282 Pearl grey
 K1-1077283 RAL 9016

9

Ø25
914

x	
11	6
12	6
13	7
14	7
15	8

K2-1077185 RAL 7016
 K2-1077186 RAL 9005
 K2-1077187 Pearl grey
 K2-1077188 RAL 9016

10

260

x 1
 K1-1077070 RAL 7016
 K1-1077071 RAL 9005
 K1-1077072 Pearl grey
 K1-1077073 RAL 9016

11

206

x 1
 K1-1077175 RAL 7016
 K1-1077176 RAL 9005
 K1-1077177 Pearl grey
 K1-1077178 RAL 9016

20

x 1
 M2-1078040 Beech / Buche / Beuk / Hêtre / Bøg
 M2-1078050 Oak / Eiche / Eik / Chêne / Eg

11	12	13	14	15	
x	10	11	12	13	14

M2-1078041 Beech / Buche / Beuk / Hêtre / Bøg
 M2-1078051 Oak / Eiche / Eik / Chêne / Eg

640 250 33

21

640 250 33

26

11	12	13	14	15	
x	6	6	7	7	8

640 250 33

K2-1077195 RAL 7016
 K2-1077196 RAL 9005
 K2-1077197 Pearl grey
 K2-1077198 RAL 9016

27

Ø40

x 2
 K1-1077150 RAL 7016
 K1-1077151 RAL 9005
 K1-1077152 Pearl grey
 K1-1077153 RAL 9016

28

Ø40

x 5
 K2-1077180 RAL 7016
 K2-1077181 RAL 9005
 K2-1077182 Pearl grey
 K2-1077183 RAL 9016

29

11	12	13	14	15	
x	30	30	35	35	40

K1-1077202

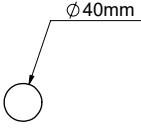
30

x 10
 K1-04050

31

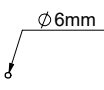
11	12	13	14	15	
x	10	15	15	15	15

K1-14939

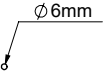
32  $\varnothing 40\text{mm}$ 1500

x 3 1078905 *Beech / Buche / Beuk / Hêtre / Bøg*
1078915 *Oak / Eiche / Eik / Chêne / Eg*

	11	12	13	14	15
x	2	2	3	3	3

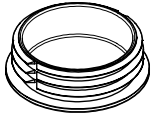
33  $\varnothing 6\text{mm}$ 1125mm

x 15
K1-14076

33a  $\varnothing 6\text{mm}$ 1500mm


	11	12	13	14	15
x	0	0	5	5	5

K1-14077

34 



	11	12	13	14	15
x	11	12	13	14	15

K1-1077040 *RAL 7016*
K1-1077041 *RAL 9005*
K1-1077042 *Pearl grey*
K1-1077043 *RAL 9016*

40 

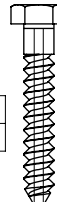
	11	12	13	14	15
x	9	9	10	10	10

K3-08001
 $\varnothing 12 \times 60$

41 




	11	12	13	14	15
x	9	9	10	10	10

K3-04001
 $\varnothing 10$

42 

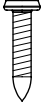

	11	12	13	14	15
x	9	9	10	10	10

K3-06003
 $\varnothing 10 \times 60$

43 




	11	12	13	14	15
x	61	66	71	76	81

K3-05003
 $M8 \times 6$

44 


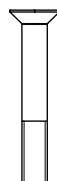
	11	12	13	14	15
x	66	72	78	84	90

K3-06130
 $\varnothing 6 \times 30 \text{ TX30}$

45 


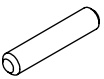
	11	12	13	14	15
x	6	6	7	7	8

K3-05002
 $M6 \times 5$



46 

	11	12	13	14	15
x	6	6	7	7	8

K3-02097
 $M10 \times 70$

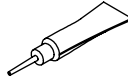
47 

x 10
R3-91415
 $\varnothing 8 \times 40$

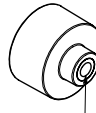
48 


	11	12	13	14	15
x	6	6	7	7	8



K3-06008
 $\varnothing 5 \times 25 \text{ PZ2}$

49 



x 1
K3-90001

50  $\varnothing 8\text{mm}$

x 1
K1-01810

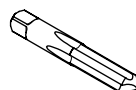
51 


x 2
K3-06022
 $\varnothing 5 \times 35 \text{ TX25}$


52 


	11	12	13	14	15
x	30	30	35	35	40

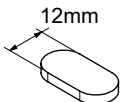
K3-05064
 $M4 \times 4$

55 


x 1
K3-10010
 $M8$

56 

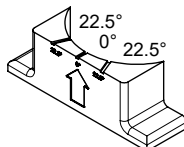
x 2
K3-08006
 $\varnothing 6 \times 40$

58  12mm

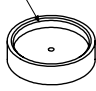
x 8
R3-20590

59 

x 1
K3-90005

60  22.5°
0° 22.5°

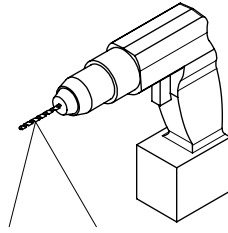
x 1
K1-08270

63  $\varnothing 40,2\text{mm}$

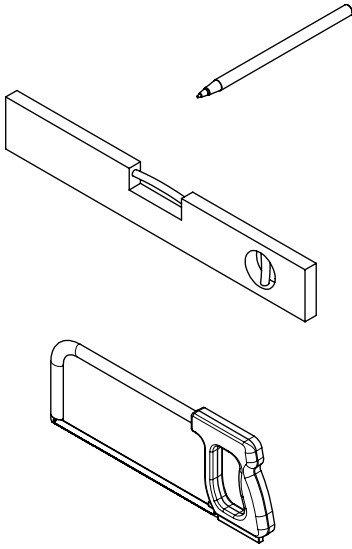
x 1
K1-01620



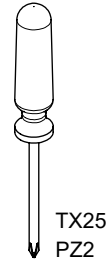
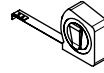
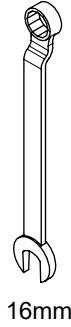
Tools not included!
Werkzeuge nicht enthalten!
Gereedschap niet inbegrepen!
Outils non inclus!
Værktøj ikke inkluderet!



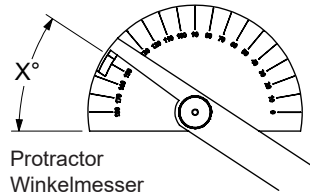
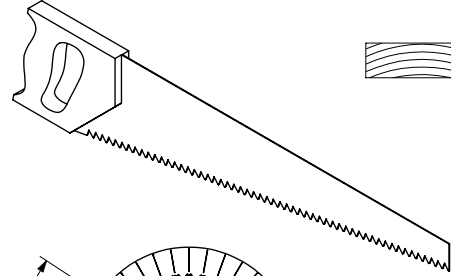
- | | |
|--------|--------|
| | |
| ∅ 3mm | ∅ 6mm |
| ∅ 4mm | ∅ 12mm |
| ∅ 6mm | |
| ∅ 8mm | |
| ∅ 10mm | |



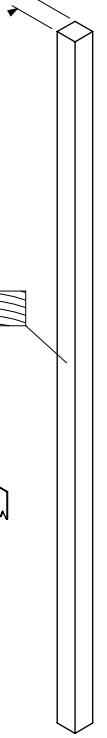
- | | |
|--|-----|
| | 3mm |
| | 4mm |
| | 6mm |



~ 50 x 50mm



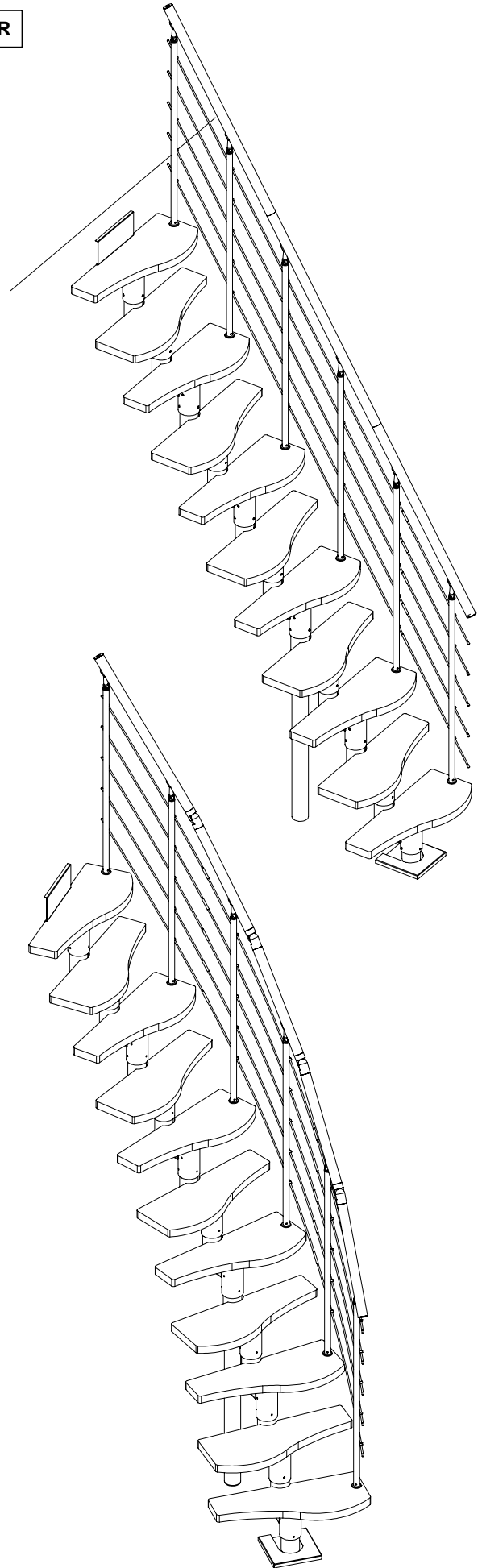
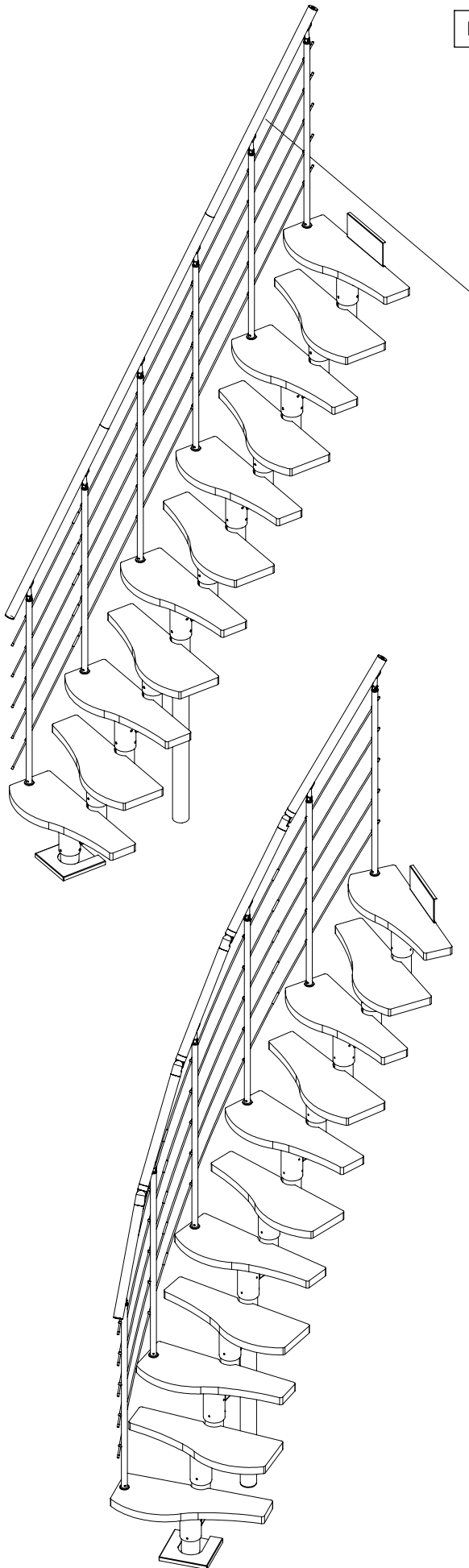
Protractor
Winkelmesser
Gradenboog
Rapporteur d'angle
Vinkelmåler

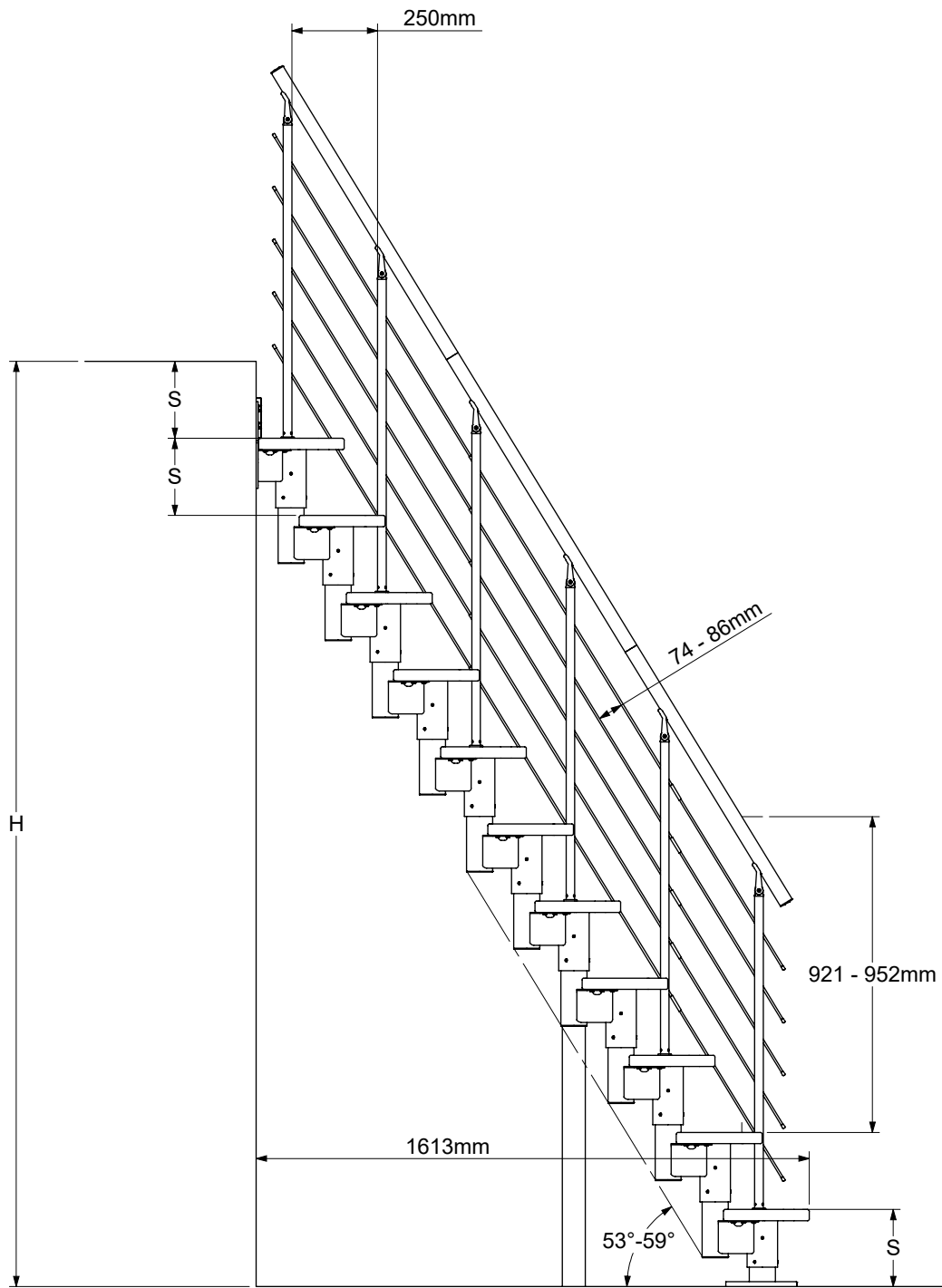




L

R





$$S = \frac{H}{T + 1}$$

min S	max S
185 mm	225 mm

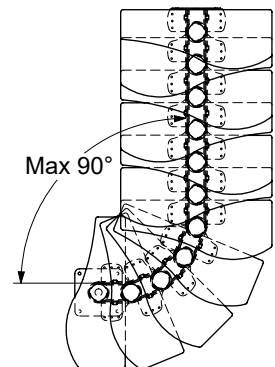
Example / Beispiel / Voorbeeld / Exemple / Eksempel:

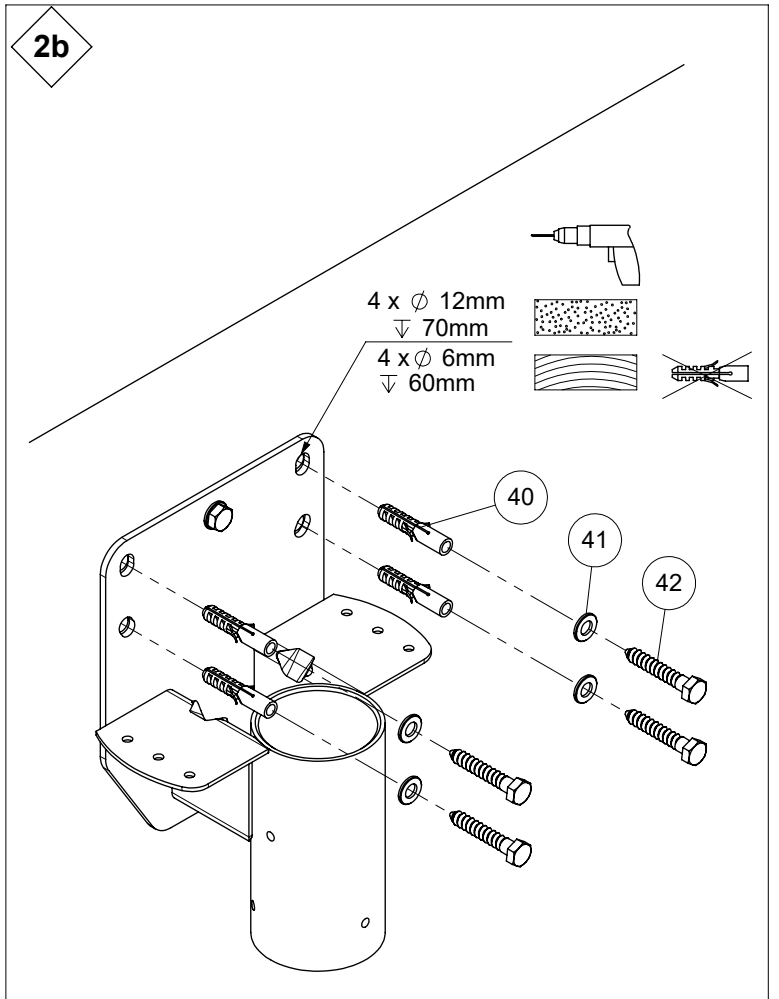
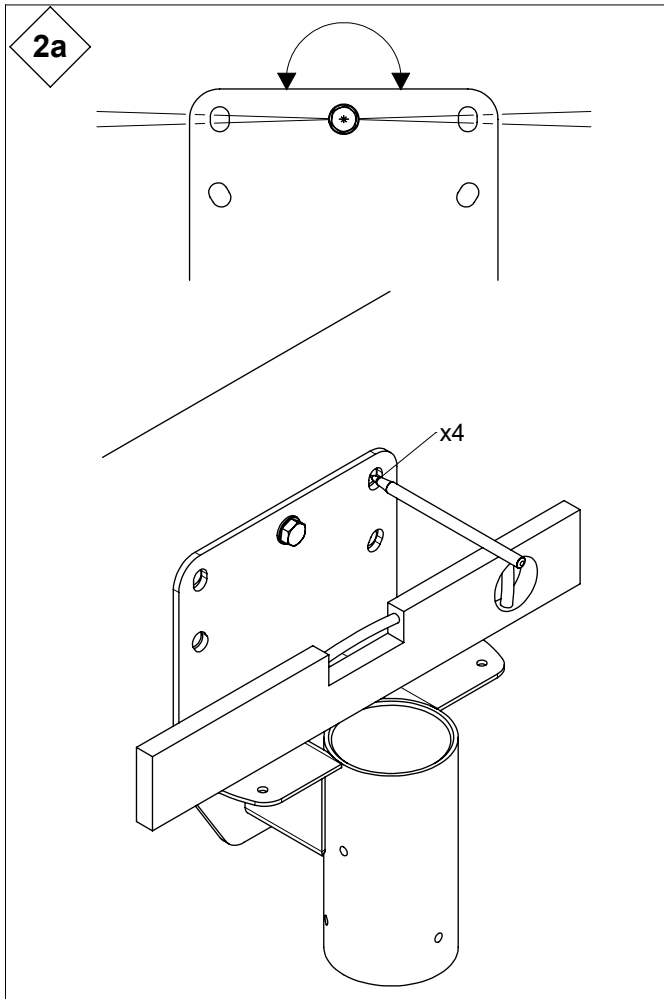
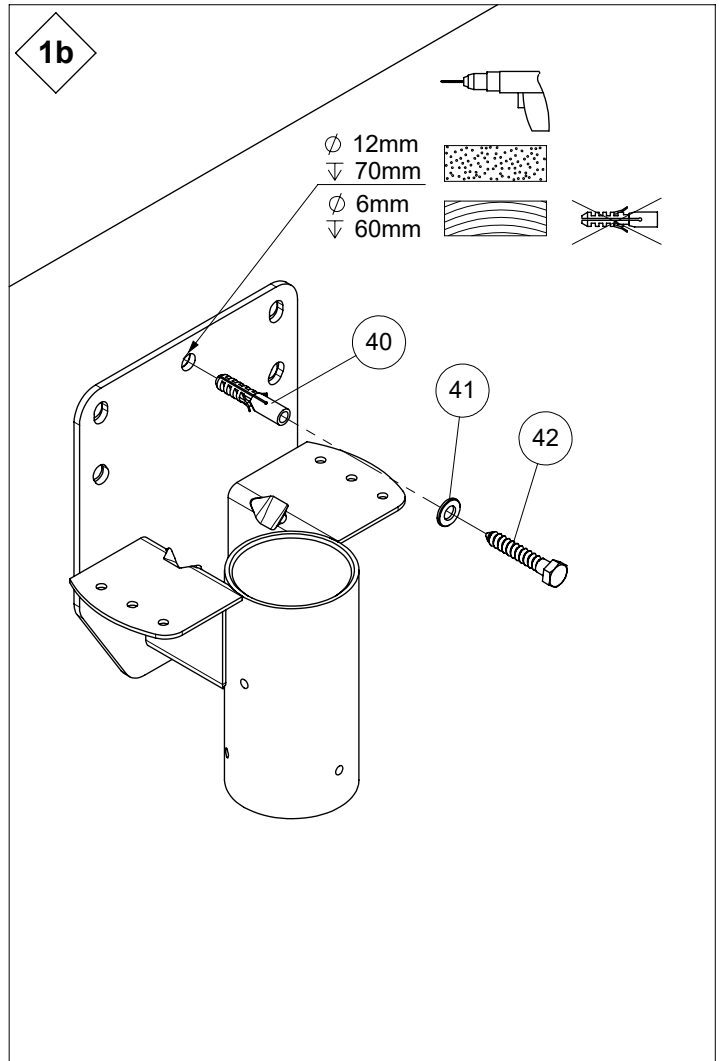
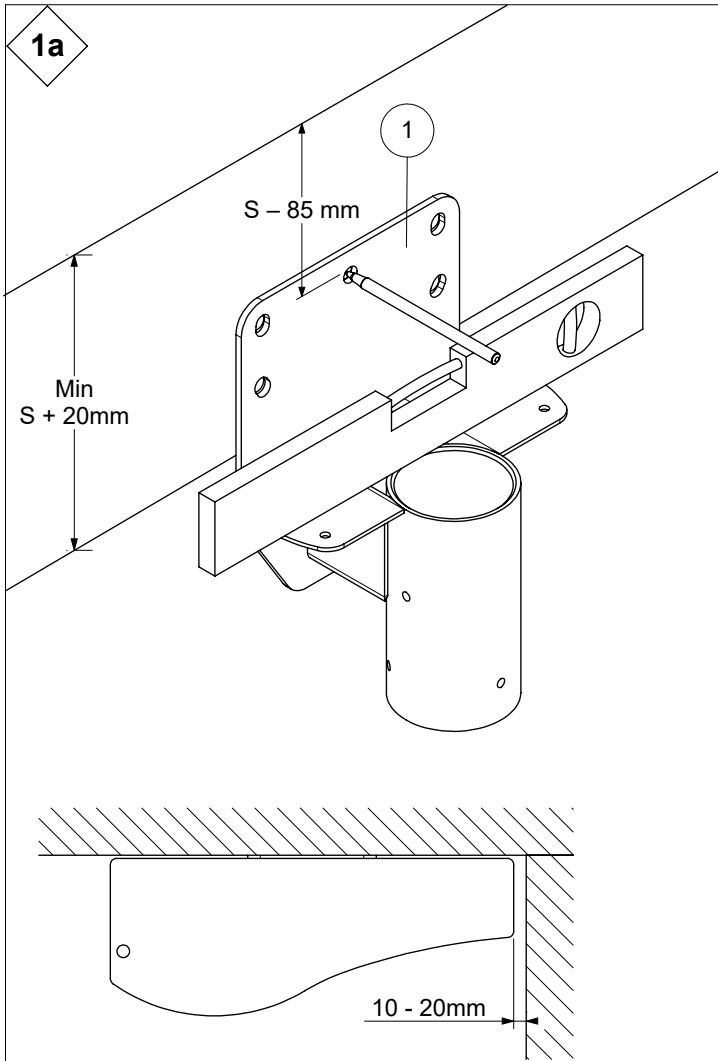
H: 2400 mm, T: 11 st(pcs)

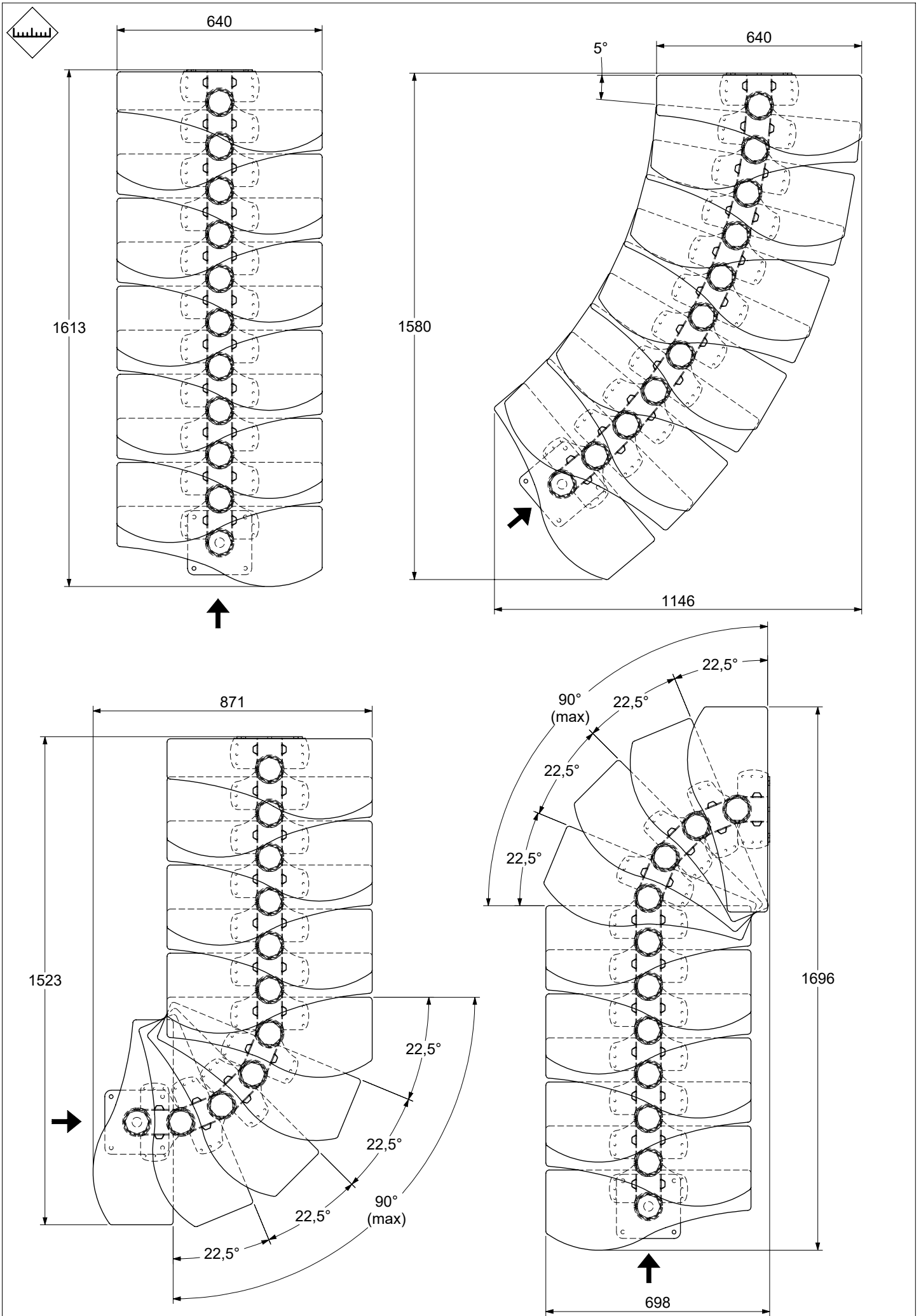
$$S = \frac{2400 \text{ mm}}{11 + 1} = 200 \text{ mm}$$

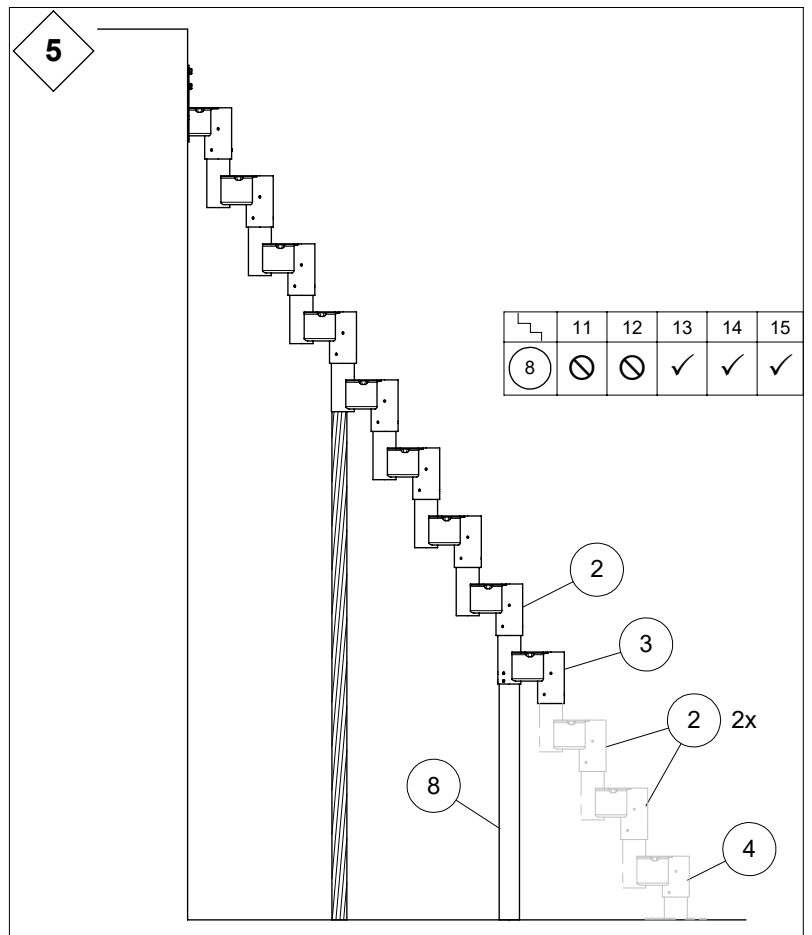
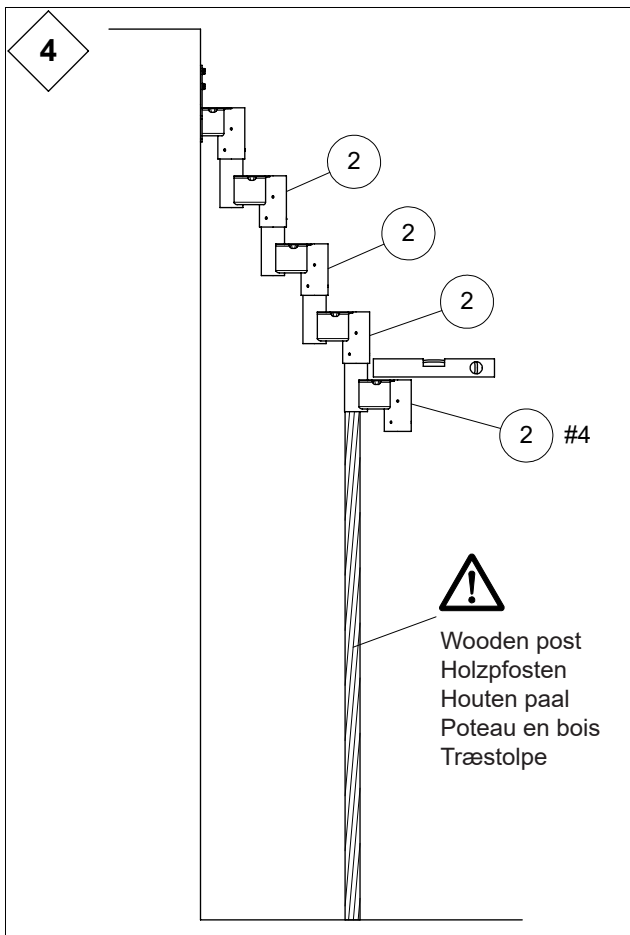
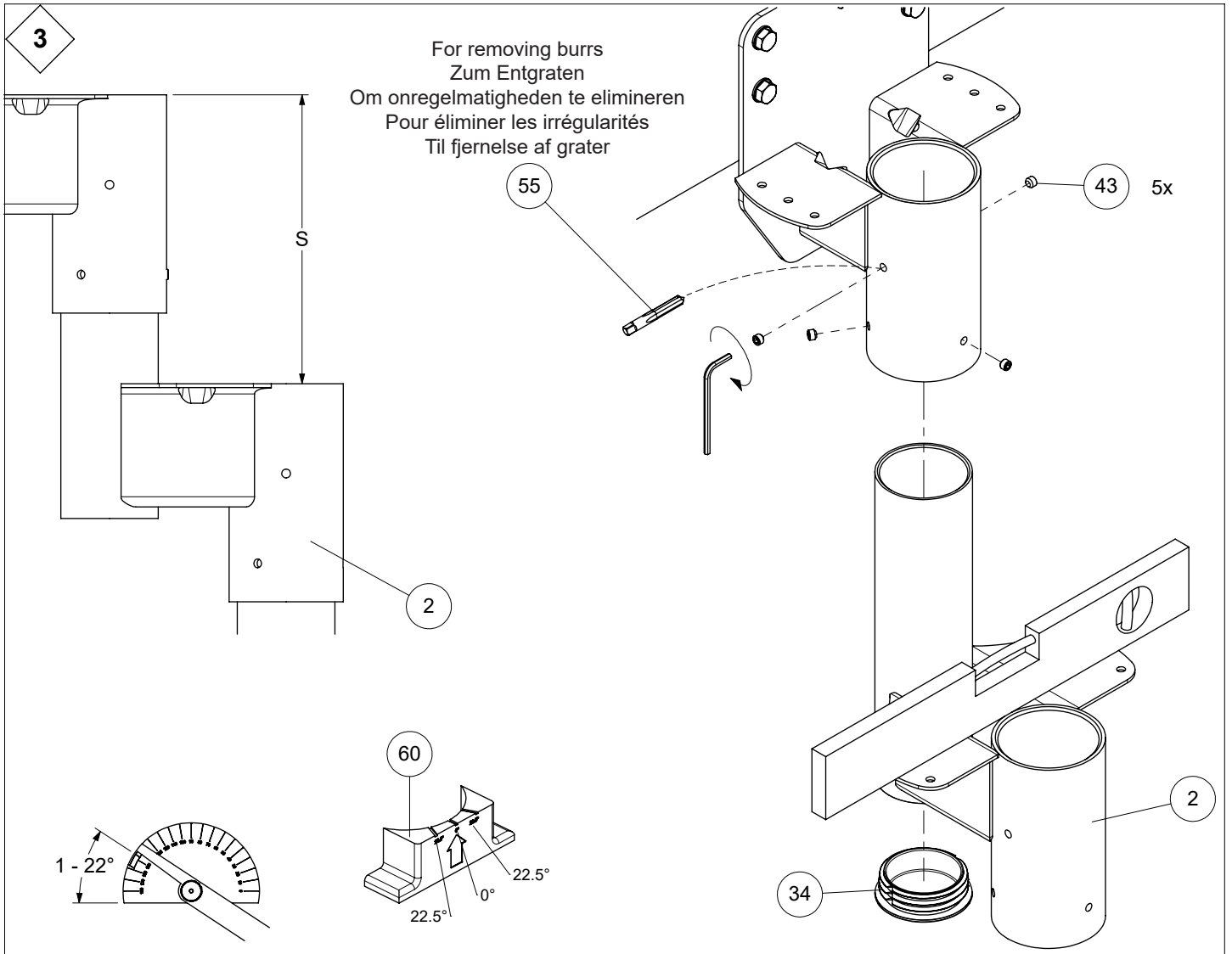


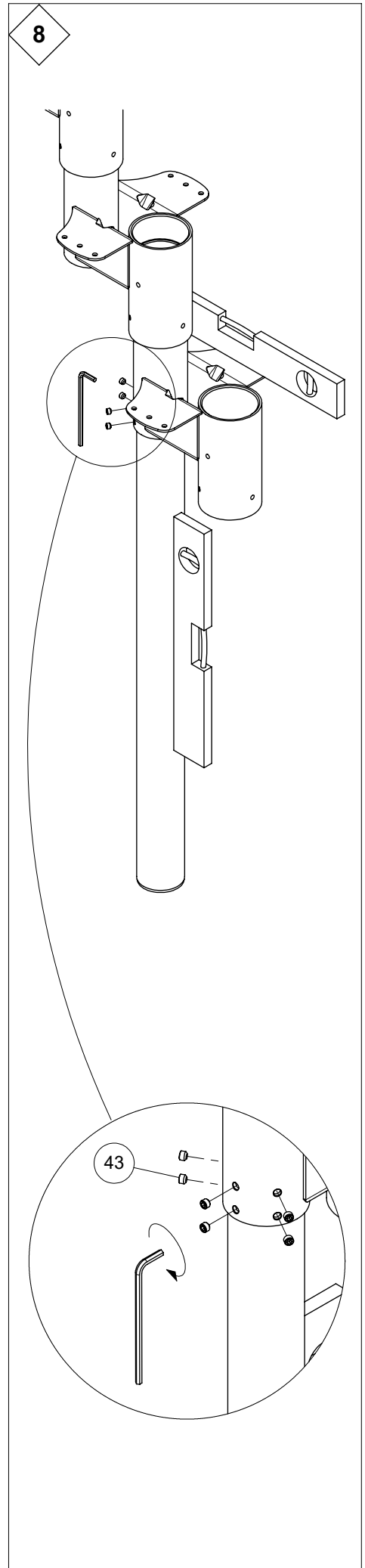
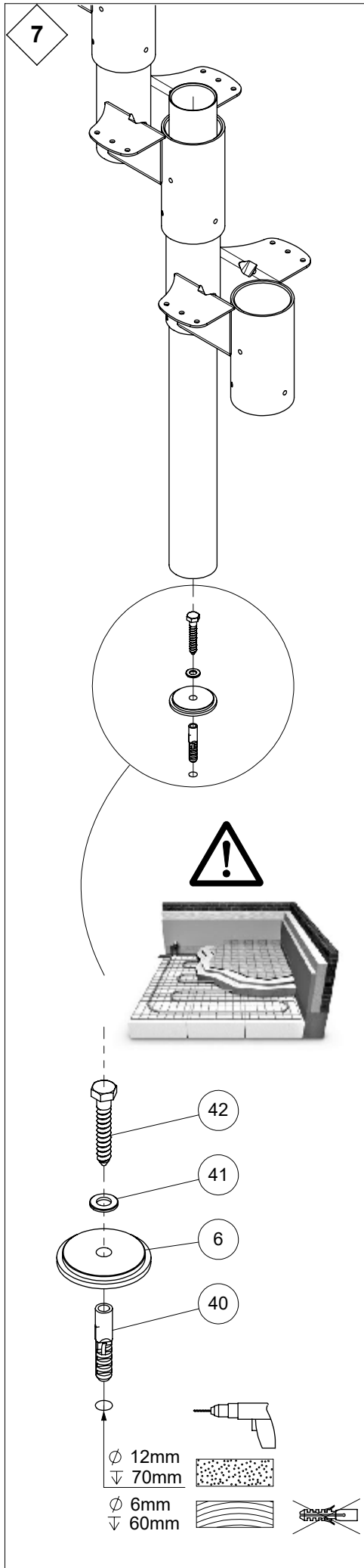
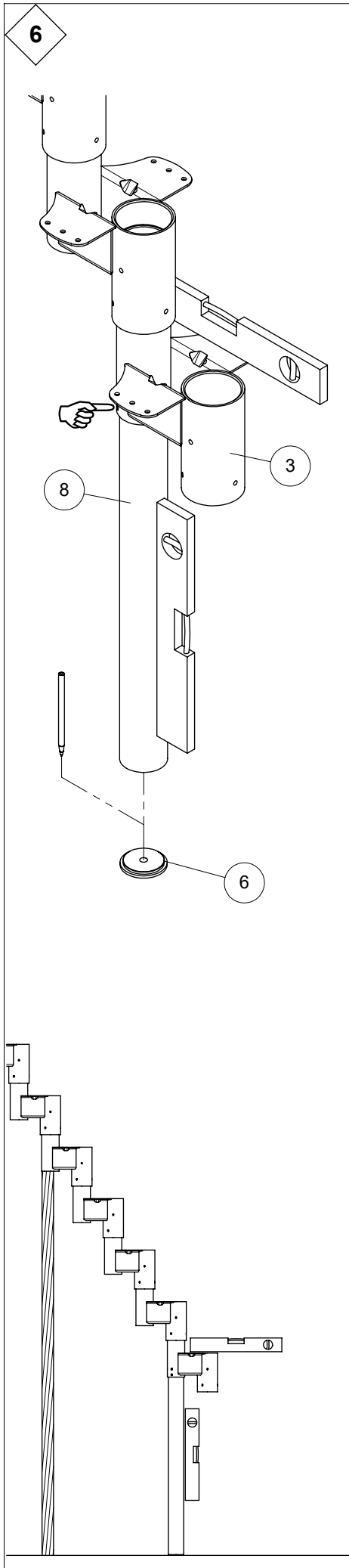
T	min H	max H
9	1850 mm	2250 mm
10	2035 mm	2475 mm
11	2220 mm	2700 mm
12	2405 mm	2925 mm
13	2590 mm	3150 mm
14	2775 mm	3375 mm
15	2960 mm	3600 mm

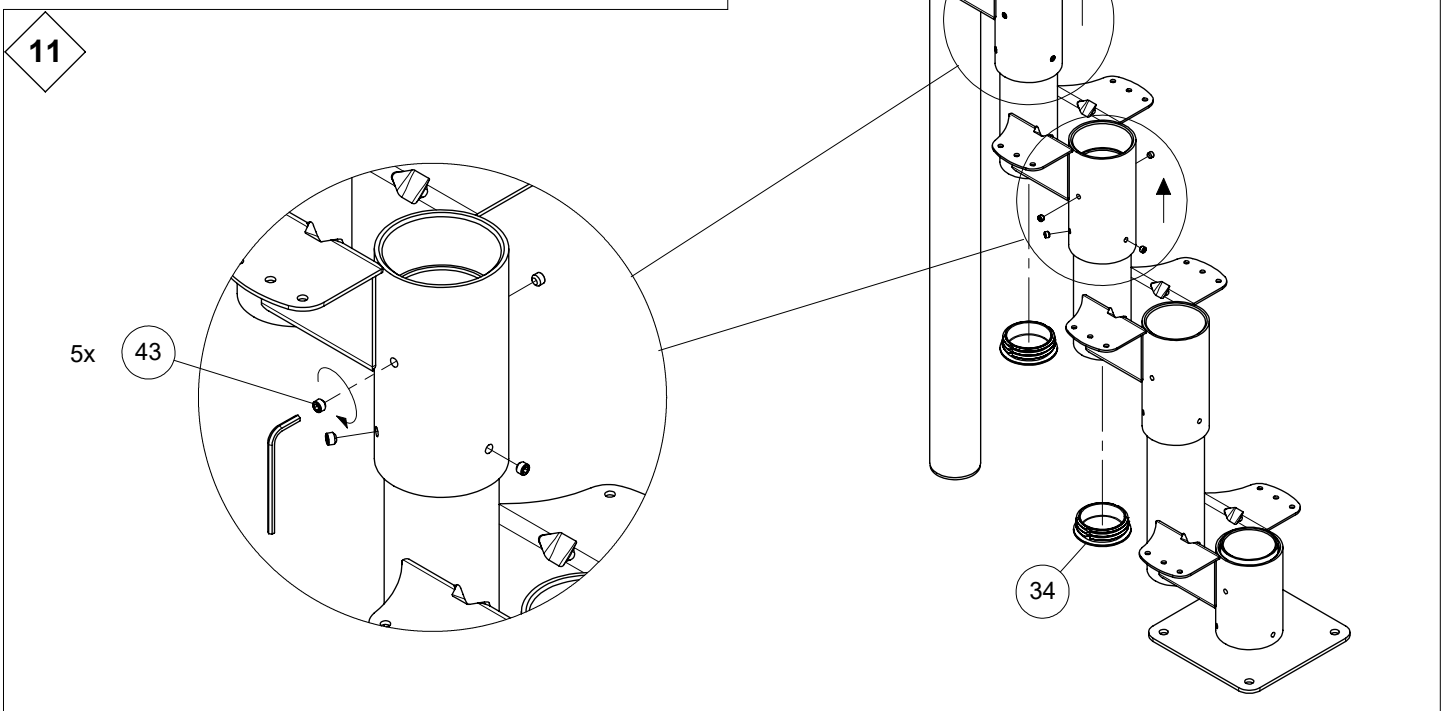
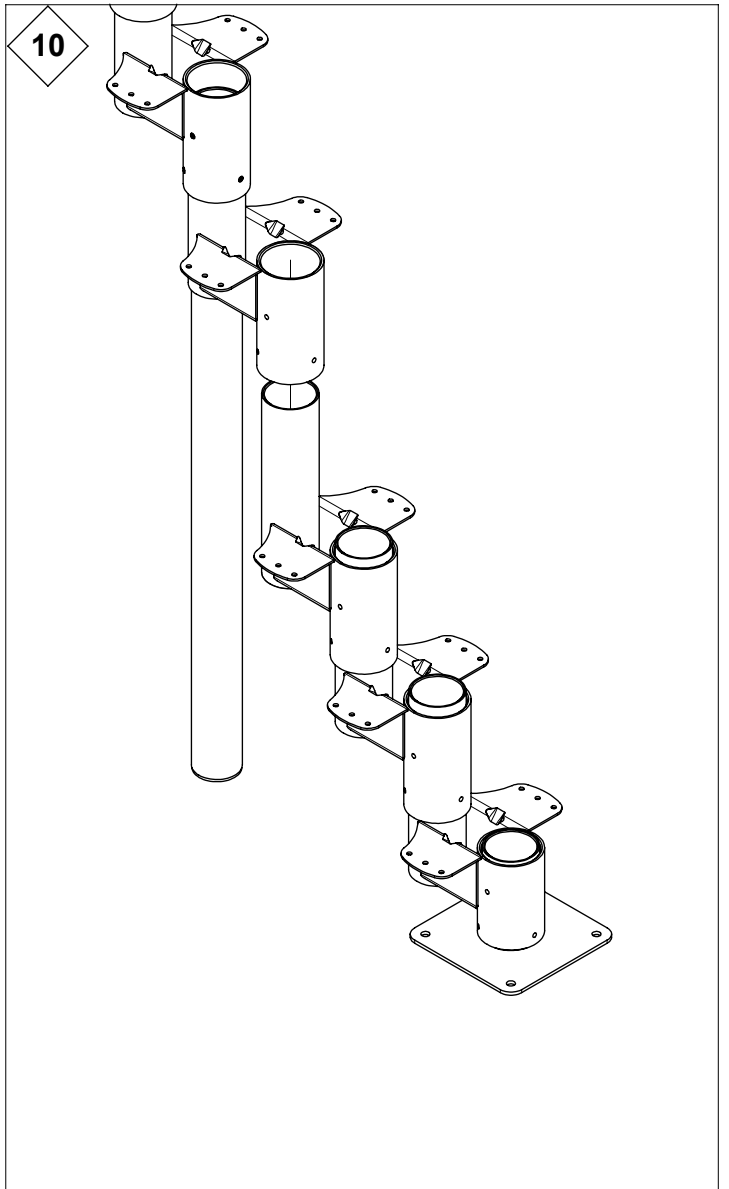
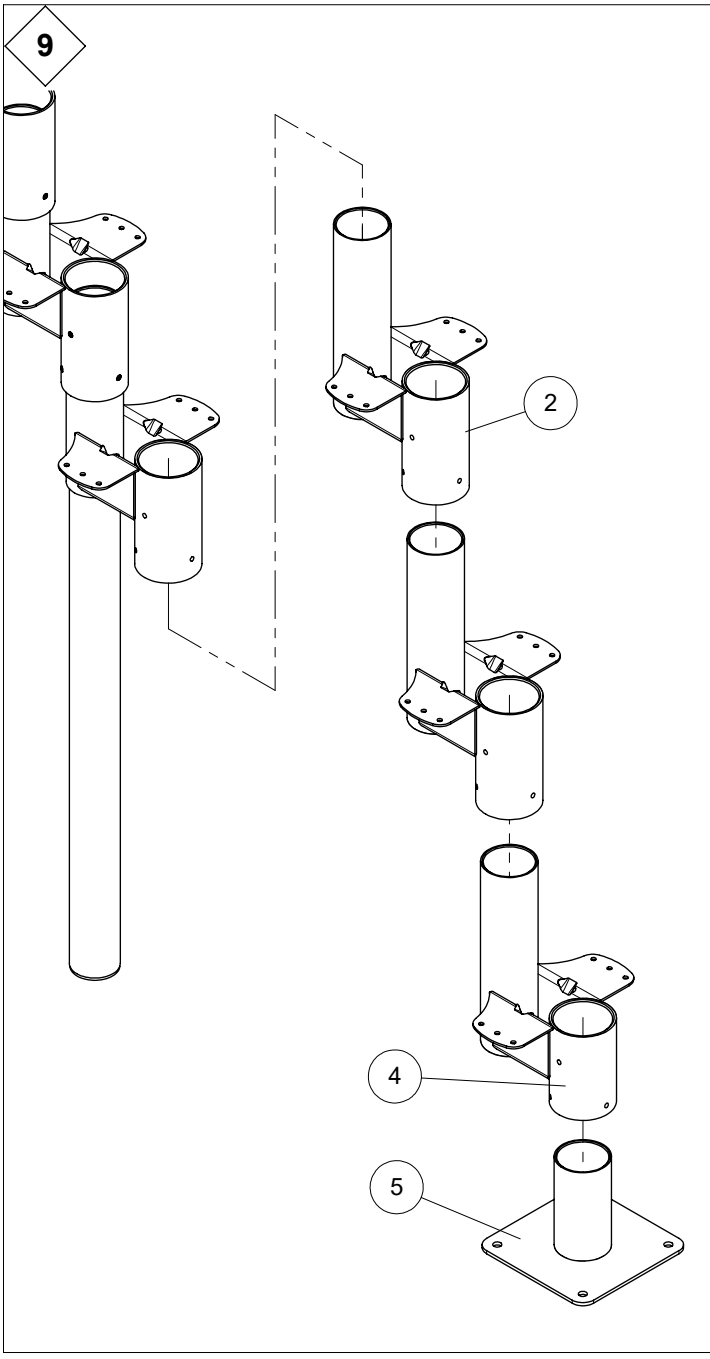


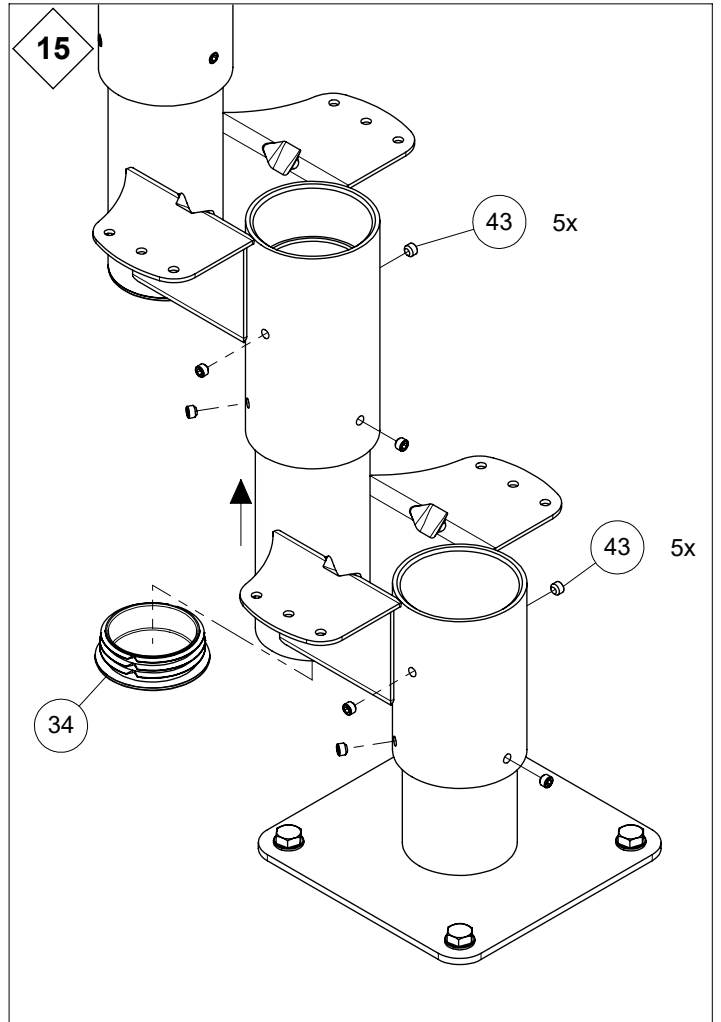
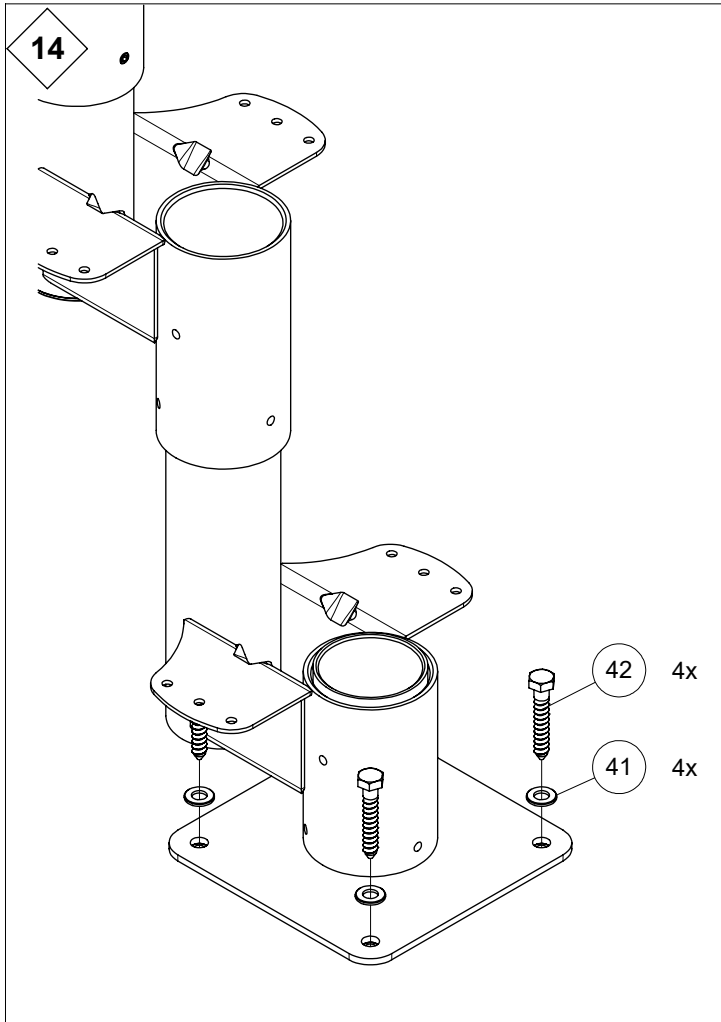
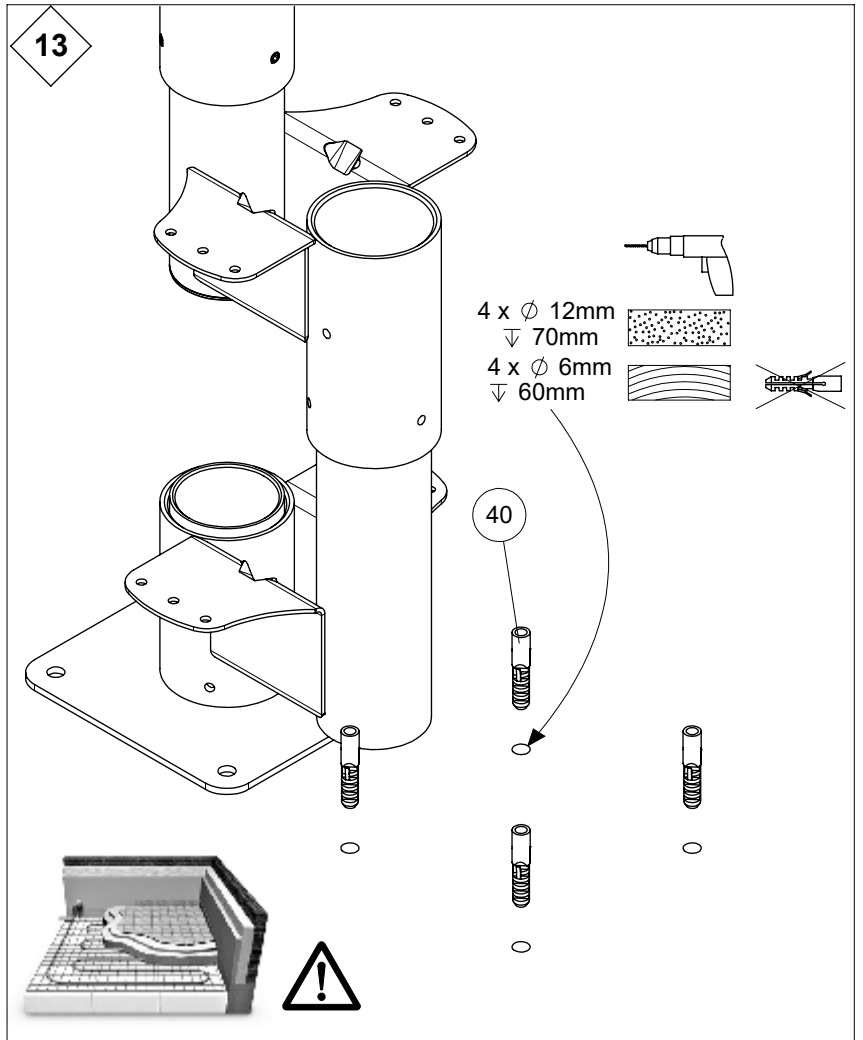
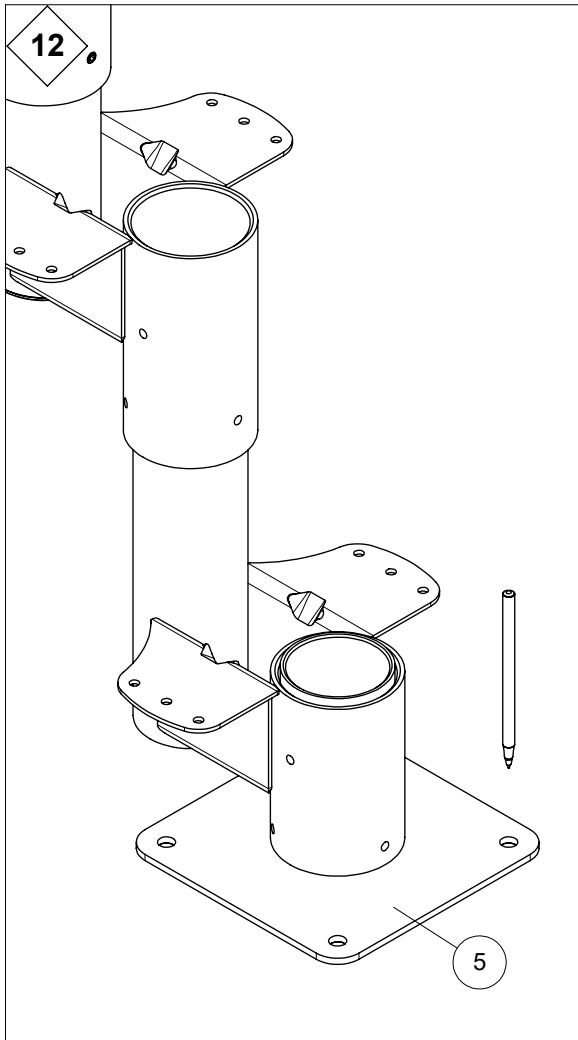


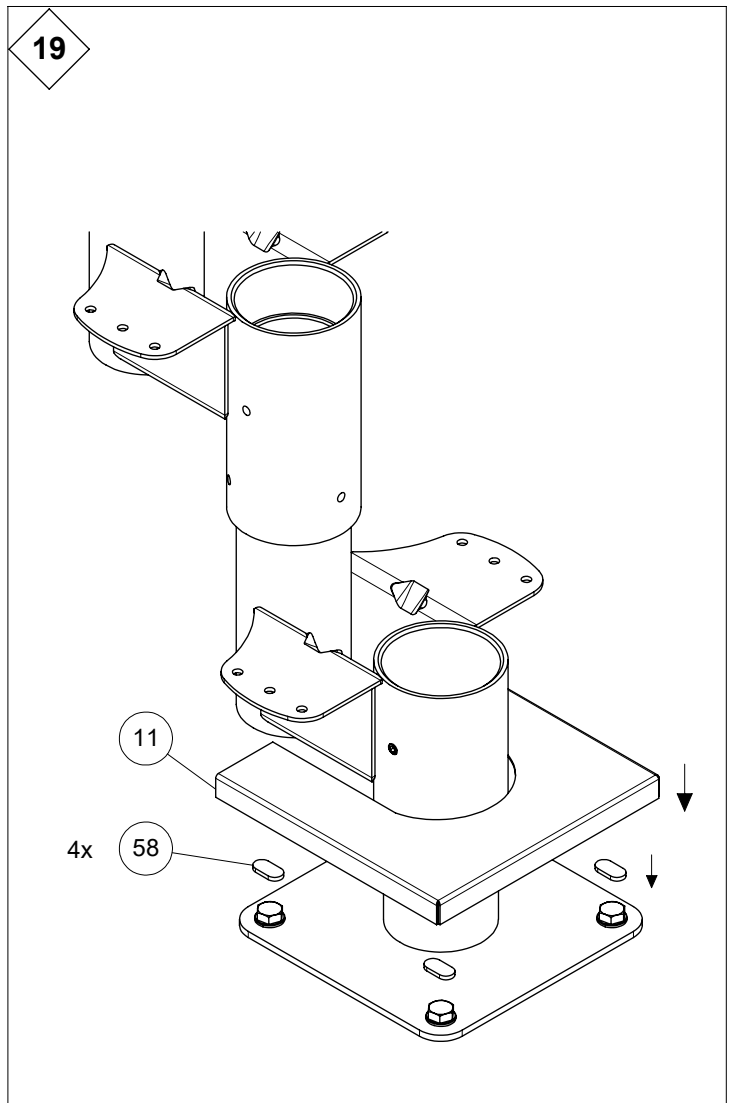
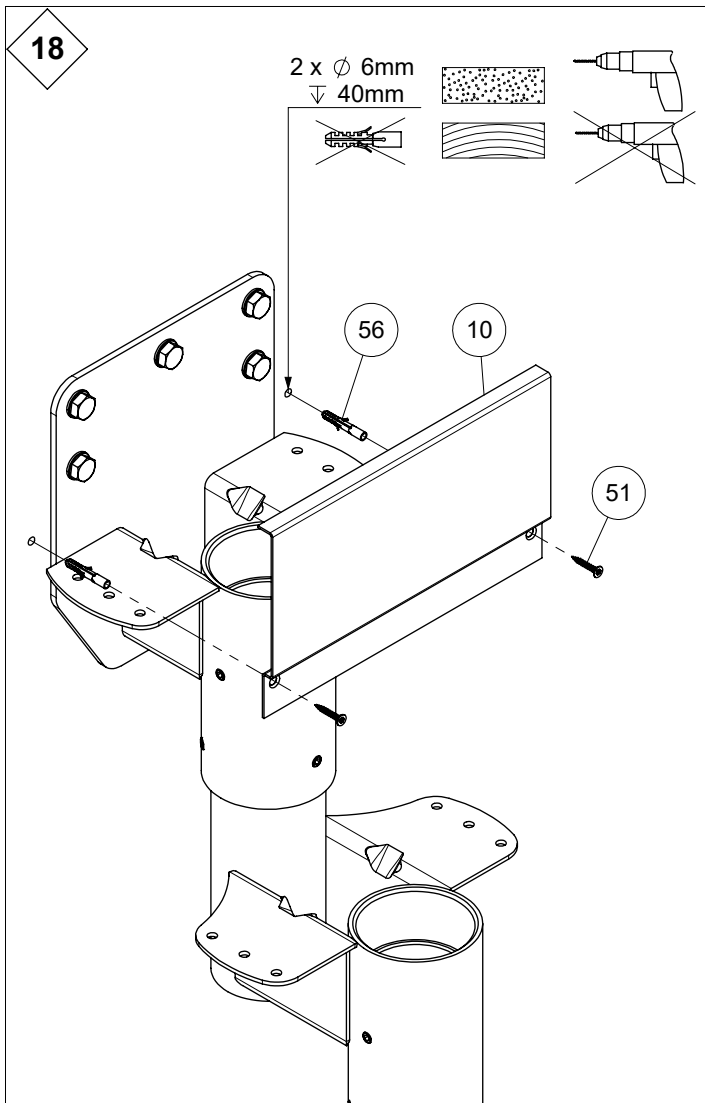
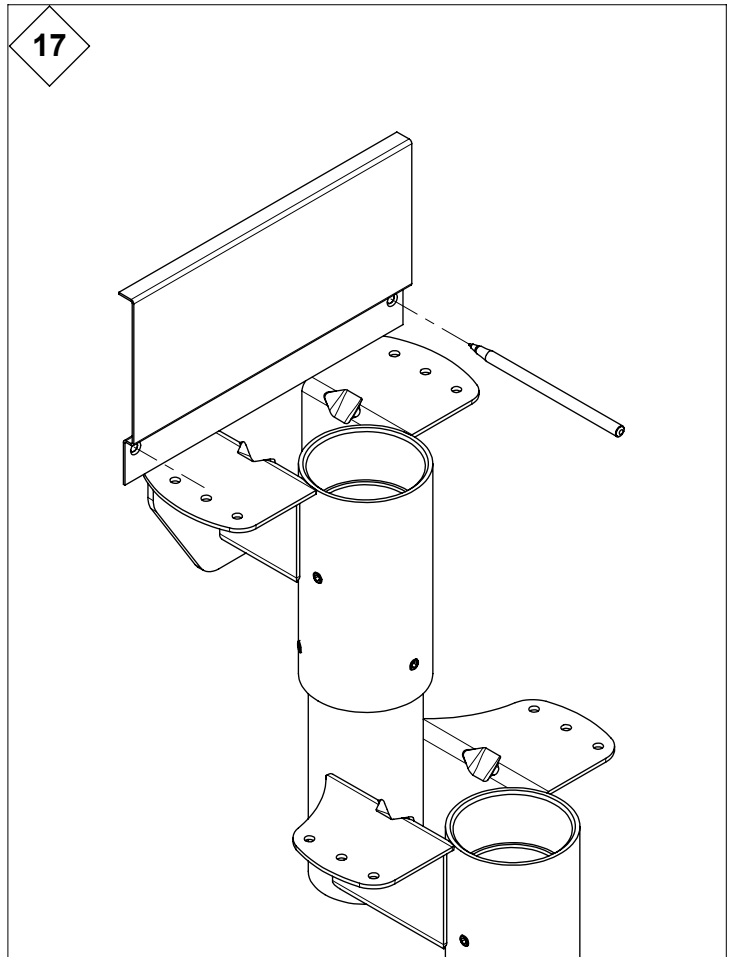
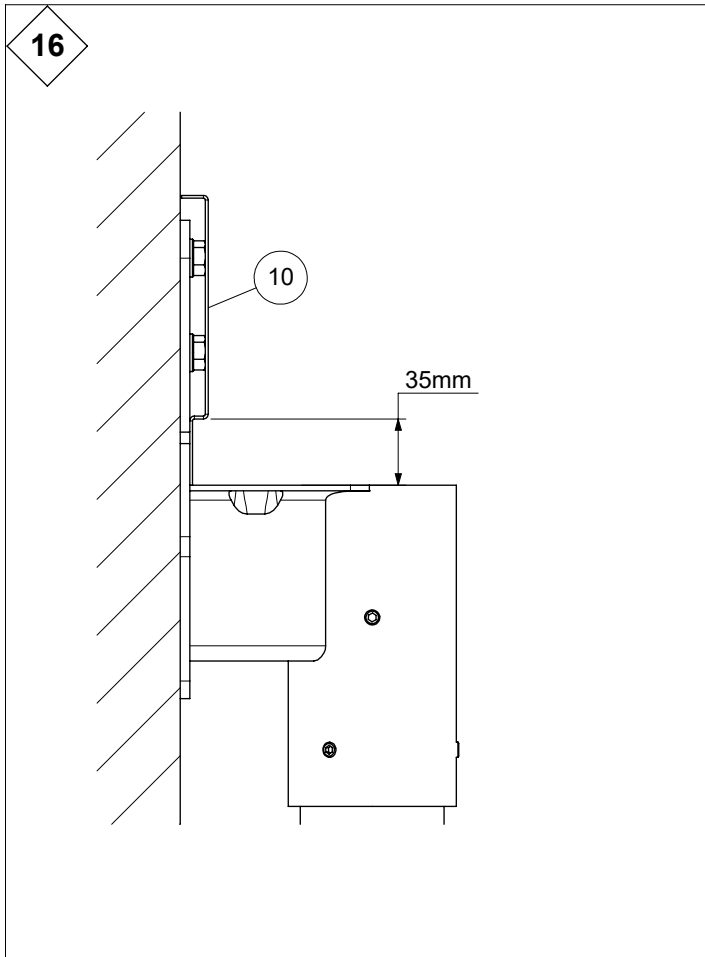




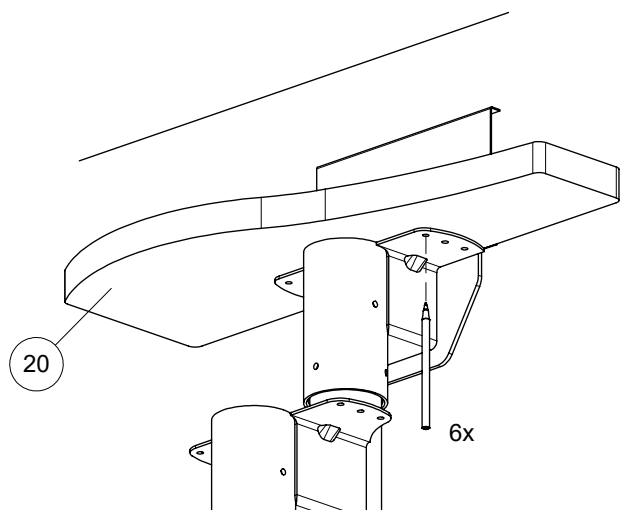
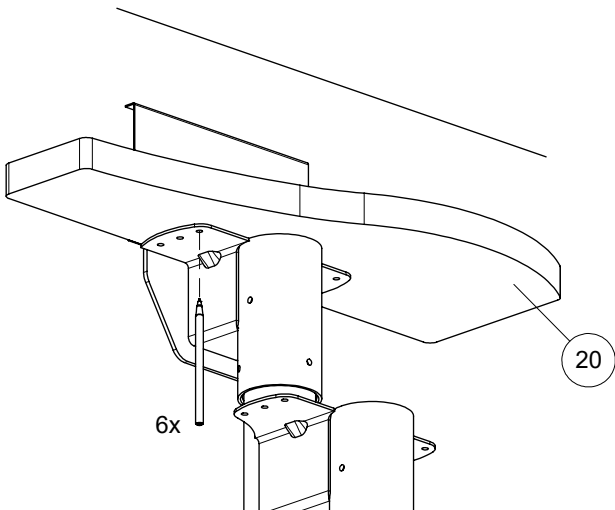
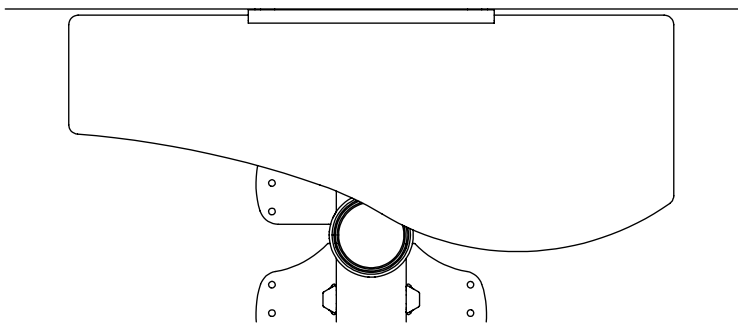
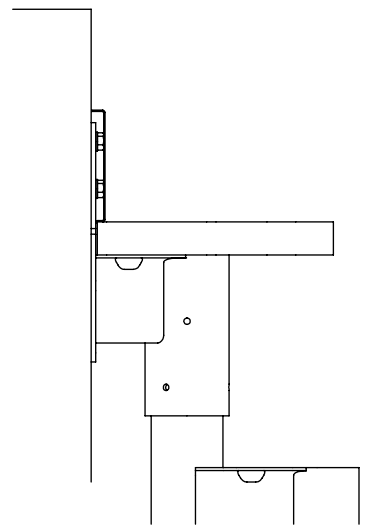
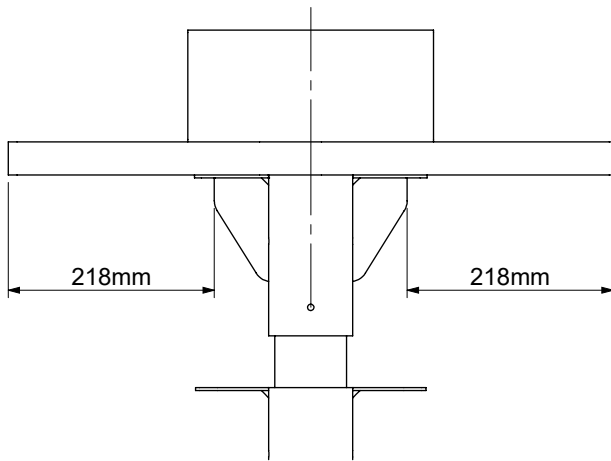
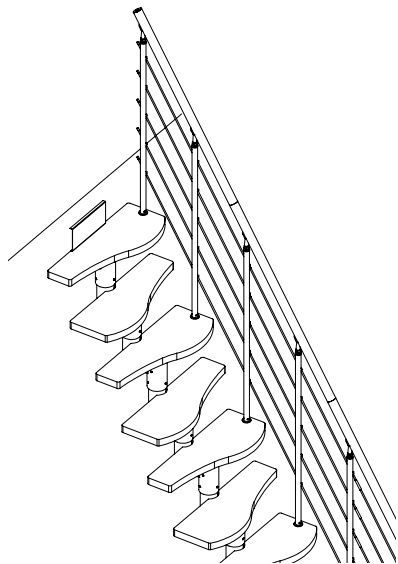
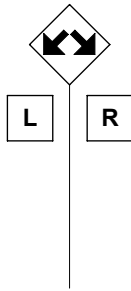
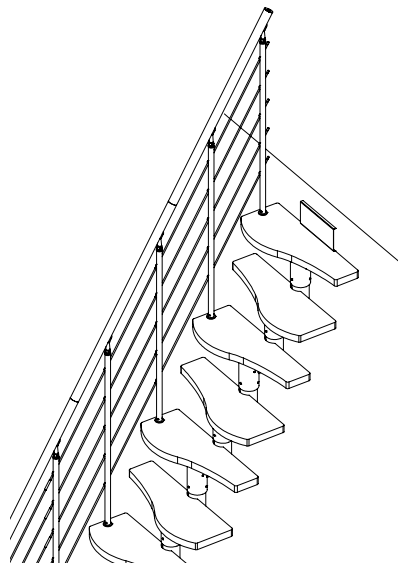


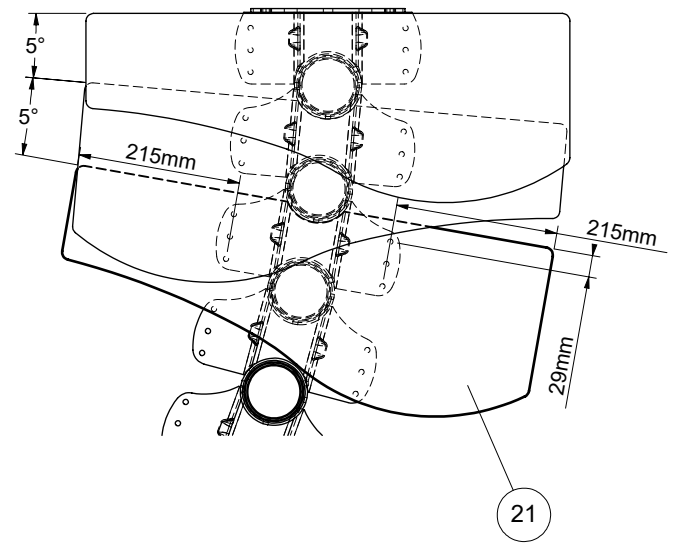
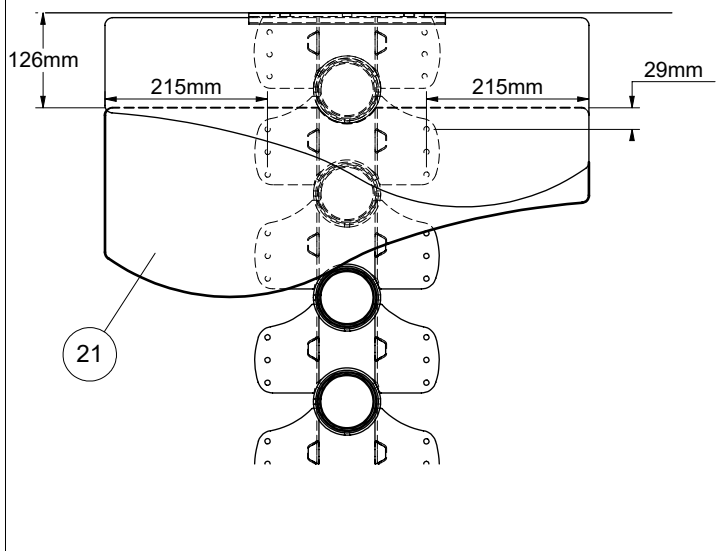
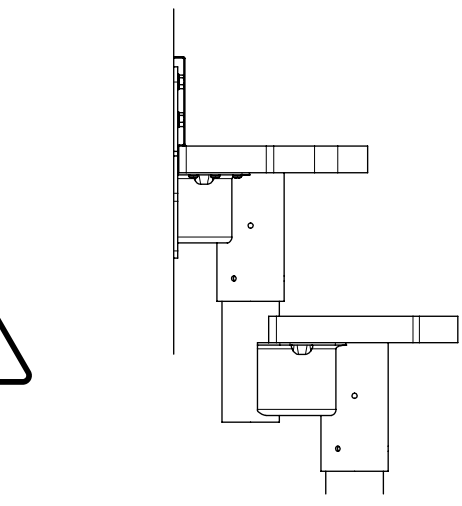
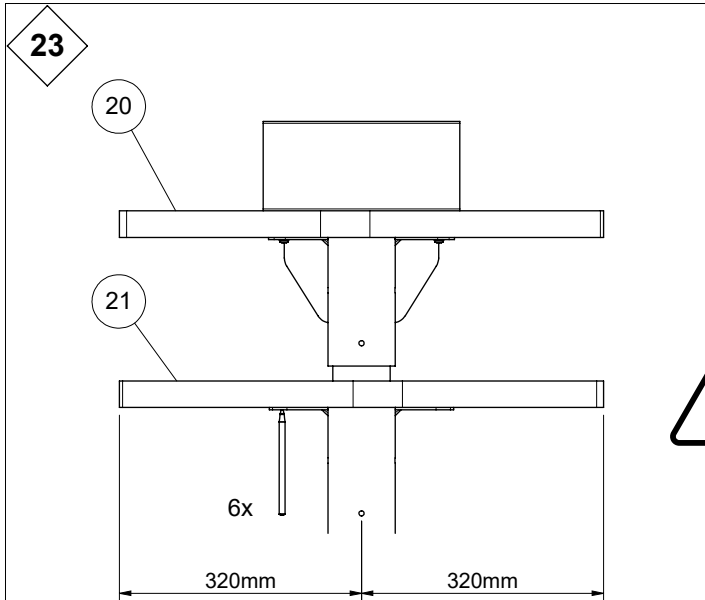
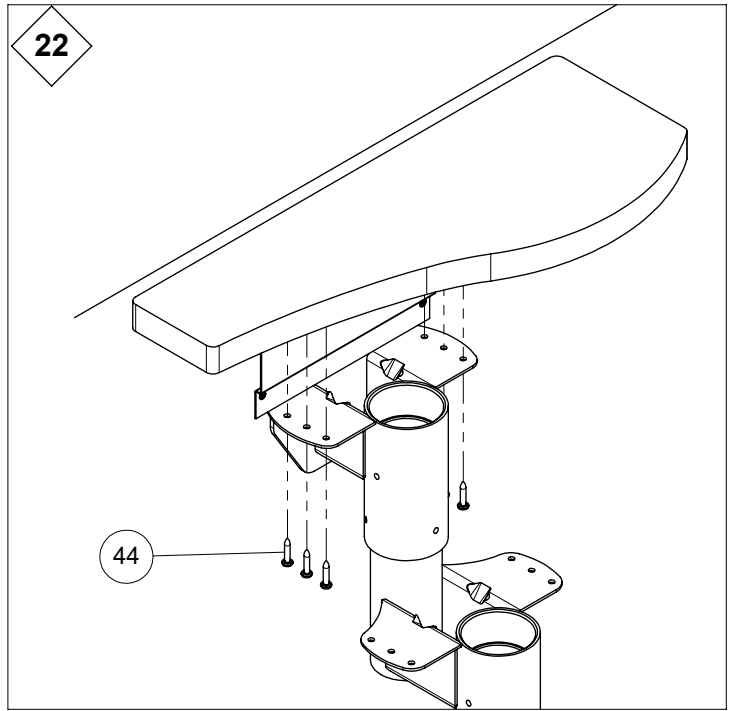
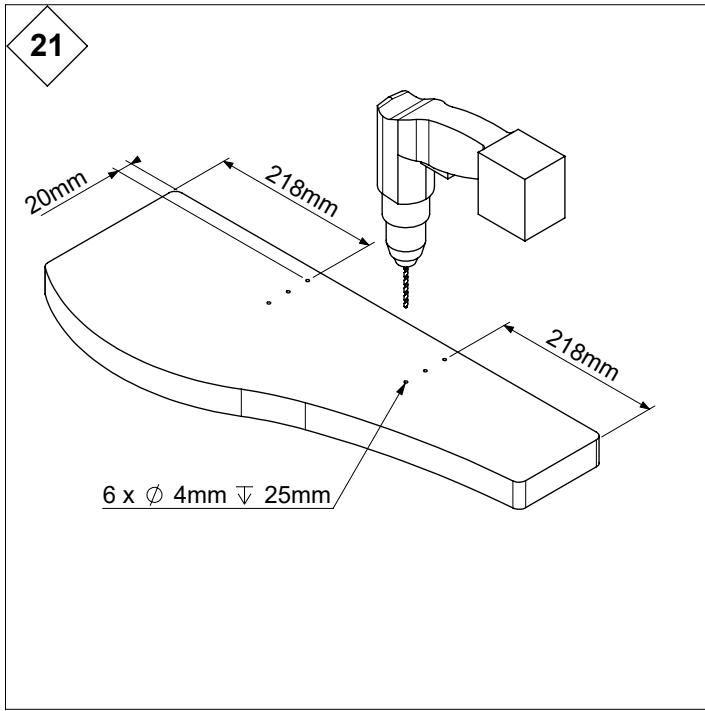




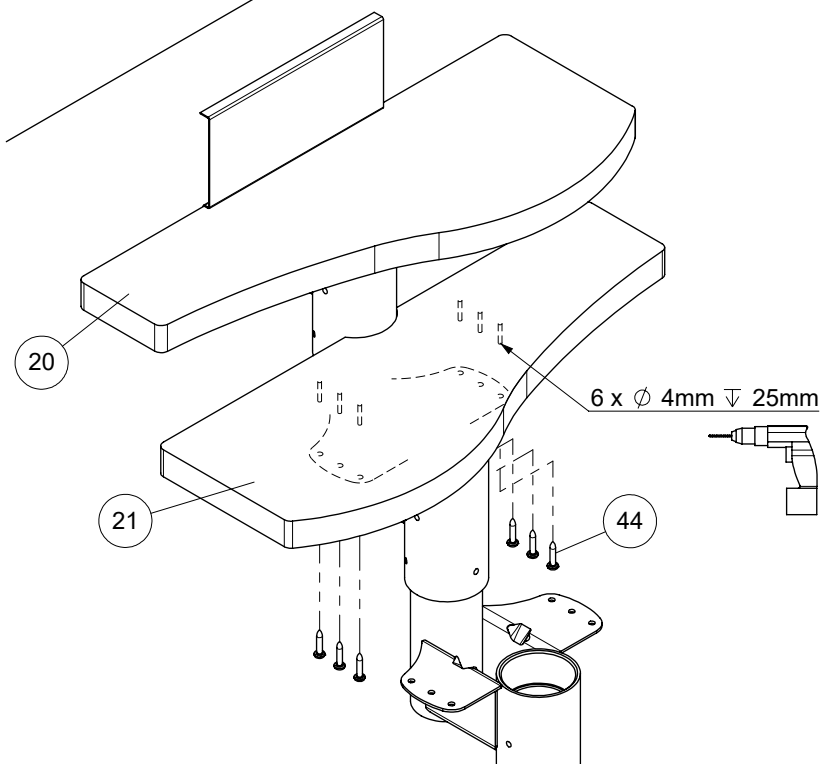


20

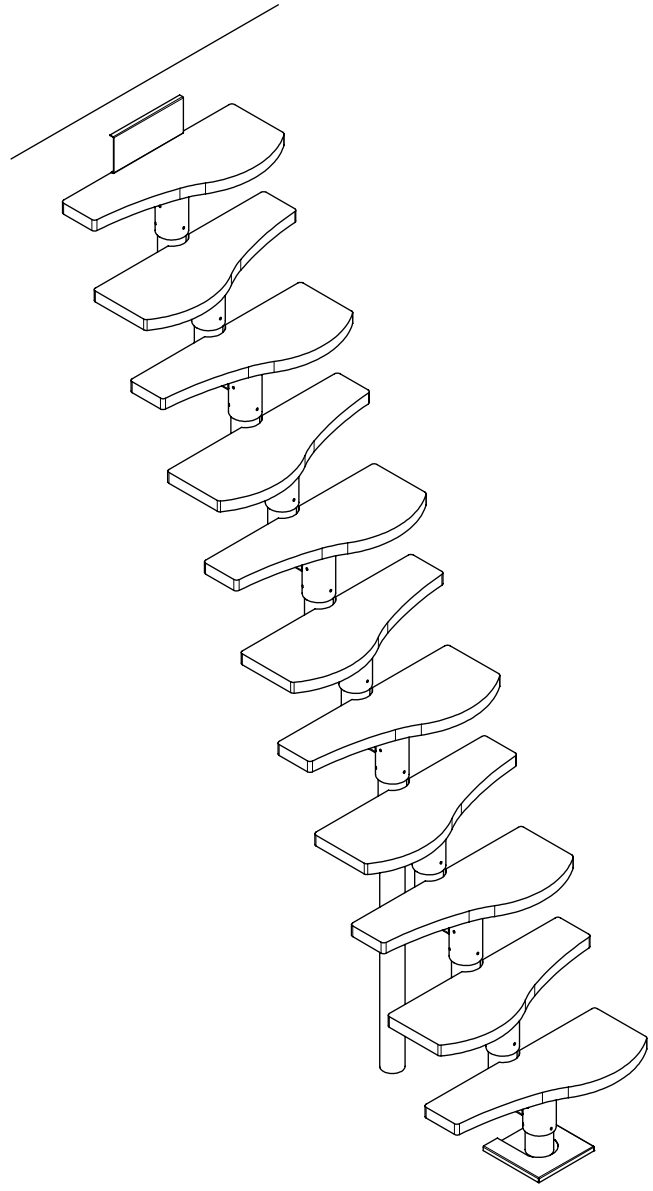




24



25





L

R

