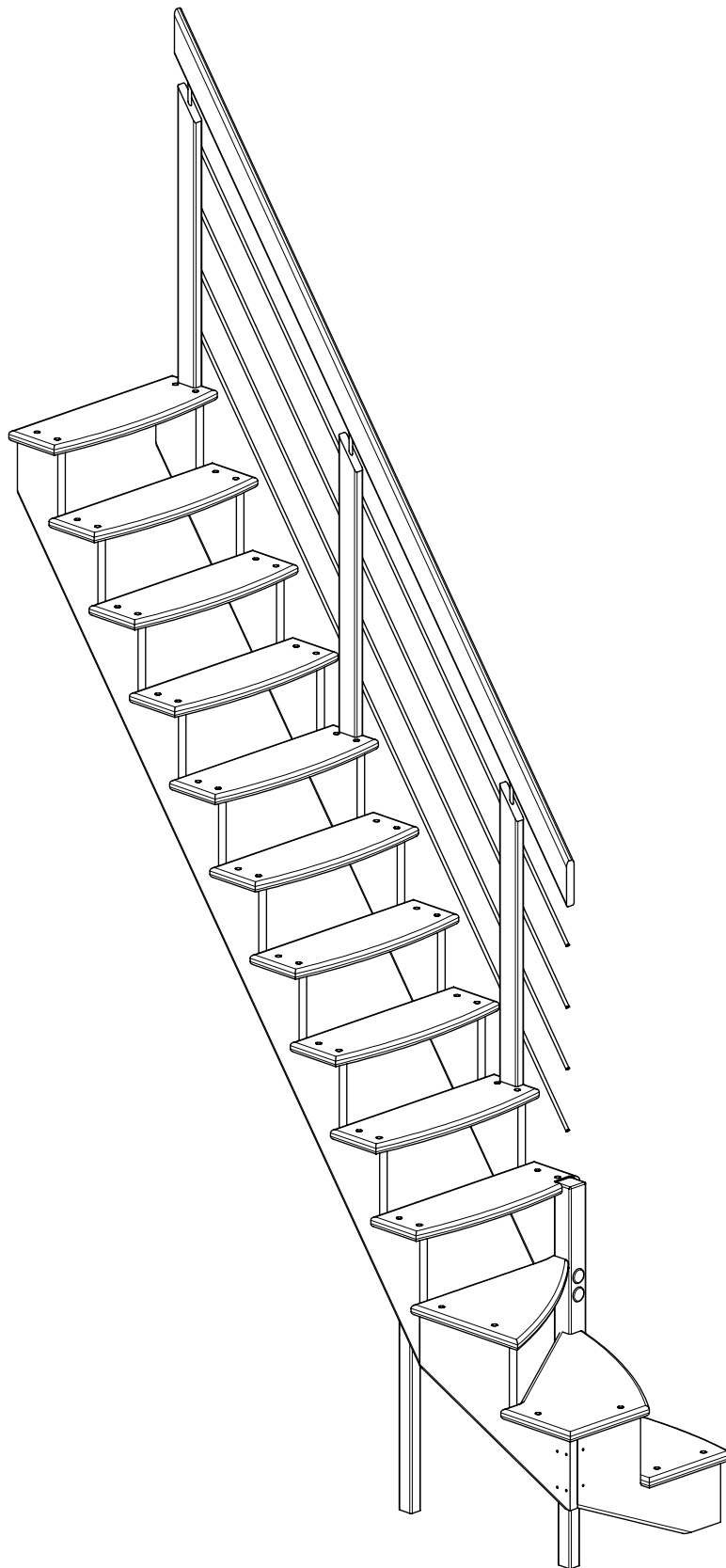
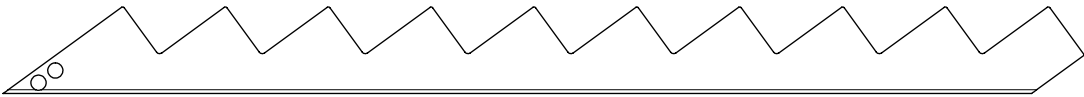


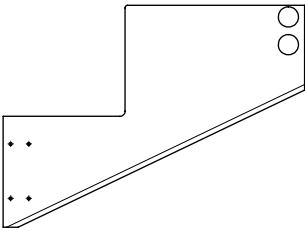
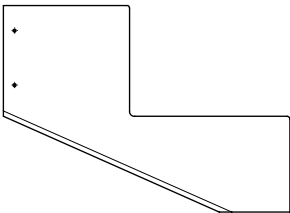

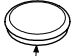

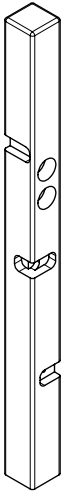
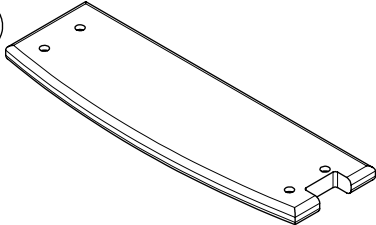




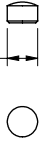
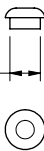
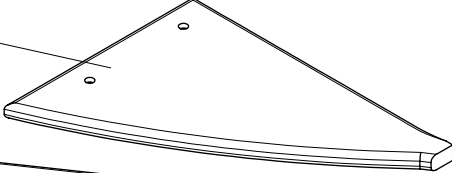
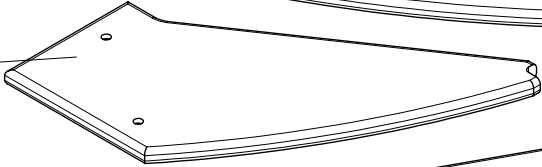
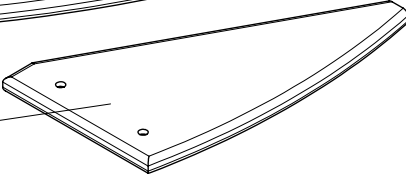
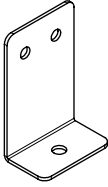











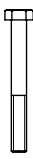






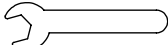


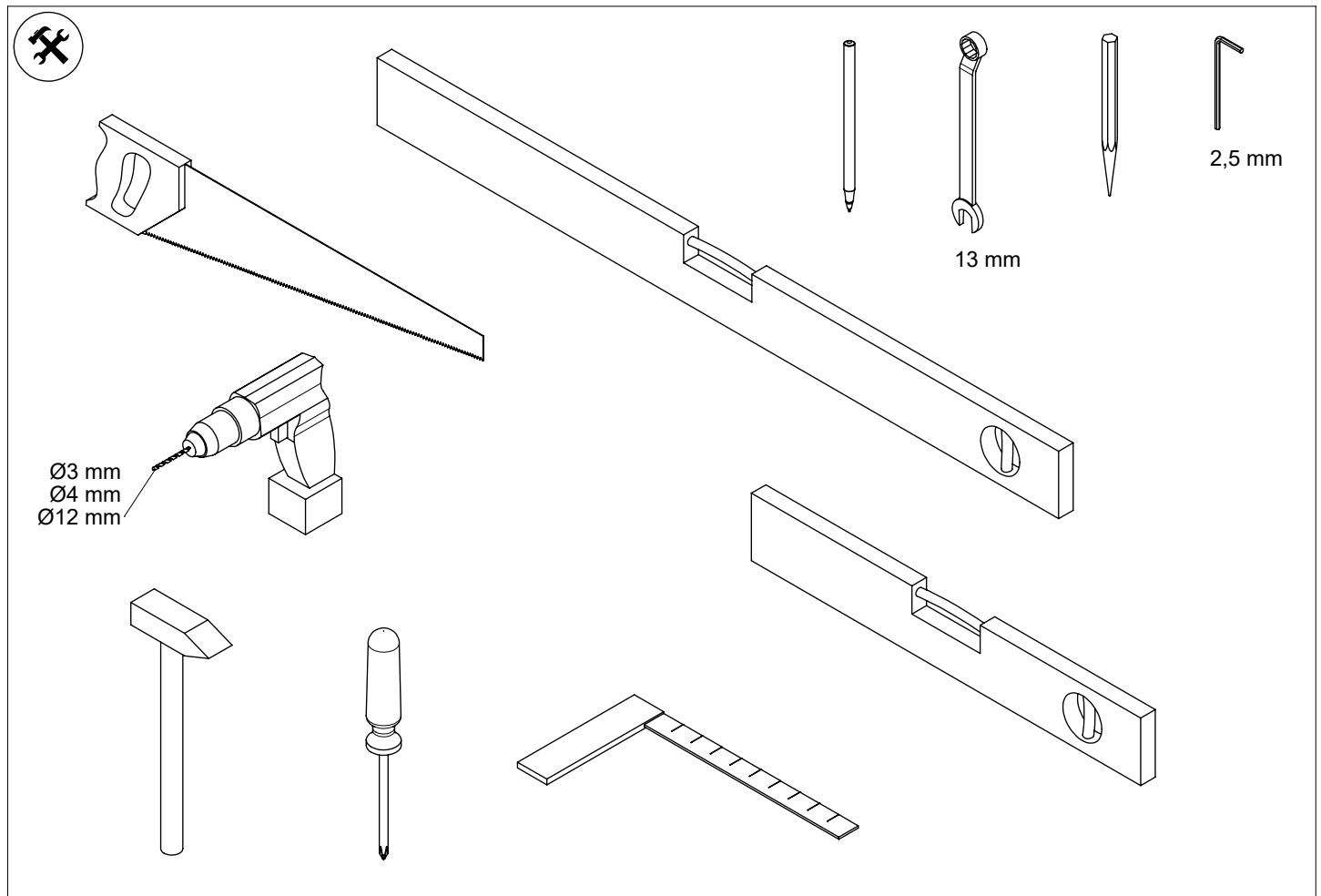
LYON ¼ turn

Installation instruction
Montageanleitung
Instruction de montage



<p>1</p> 				
<p>x 2</p>				
<p>2</p> 				
<p>x 1</p>				
<p>3</p> 				
<p>x 4</p>	<p>4</p>  <p>x 1</p>	<p>5</p>  <p>x 1</p>	<p>6</p>  <p>x 1</p>	<p>7</p>  <p>∅ 40mm</p> <p>x 8</p>
<p>8</p>  <p>x 1</p>	<p>9</p>  <p>x 1</p>	<p>10</p>  <p>x 3</p> <p>11</p>  <p>x 6</p> <p>12</p>  <p>x 1</p>	<p>16</p>  <p>x 3</p>	<p>17</p>  <p>x 3 R1-63820</p> <p>18</p>  <p>∅ 16mm</p> <p>x 46</p> <p>19</p>  <p>∅ 16mm</p> <p>x 3</p>
<p>13</p>  <p>14</p>  <p>15</p> 	<p>21</p>  <p>x 4 C1-09910</p> <p>23</p>  <p>x 12 K2-46015</p>	<p>22</p>  <p>x 2 R3-90050</p> <p>24</p>  <p>x 8 K1-01010</p>		

<p>30</p>  <p>x 6 R1-63800</p>	<p>31</p>  <p>x 6 R1-63810 Ø8,4</p>	<p>32</p>  <p>x 6 R1-63818 Ø8,4</p>	<p>33</p>  <p>x 2 R1-63808 M8 x 60</p>	<p>34</p>  <p>x 4 R3-91415 Ø8 x 40</p>	<p>35</p>  <p>x 5 R1-63286 Ø6 x 60</p>
<p>36</p>  <p>x 9 R1-63288 Ø6 x 80</p>	<p>37</p>  <p>x 6 R3-72165 Ø6</p>	<p>38</p>  <p>x 2 R1-63807 M8 x 70</p>	<p>39</p>  <p>x 2 R2-85310 Ø8,4 / Ø24</p>	<p>40</p>  <p>x 4 R3-91060 Ø8 x 60</p>	<p>41</p>  <p>x 8 R3-91360 Ø5 x 25</p>
<p>42</p>  <p>x 4 R3-91290 Ø12 x 60</p>	<p>43</p>  <p>x 52 R3-72110 Ø5 x 50</p>	<p>44</p>  <p>x 12 K3-06104 Ø5 x 40</p>	<p>45</p>  <p>x 1 R1-63813 13mm (M8)</p>		



Nutzlast:

- Verkehrslast: 3 kN/m² (300 kg/m²)
- Einzellast: 2 kN (200 kg)

Service load:

- Distributed load: 3 kN/m² (300 kg/m²)
- Point load: 2 kN (200 kg)

Charge d'exploitation:

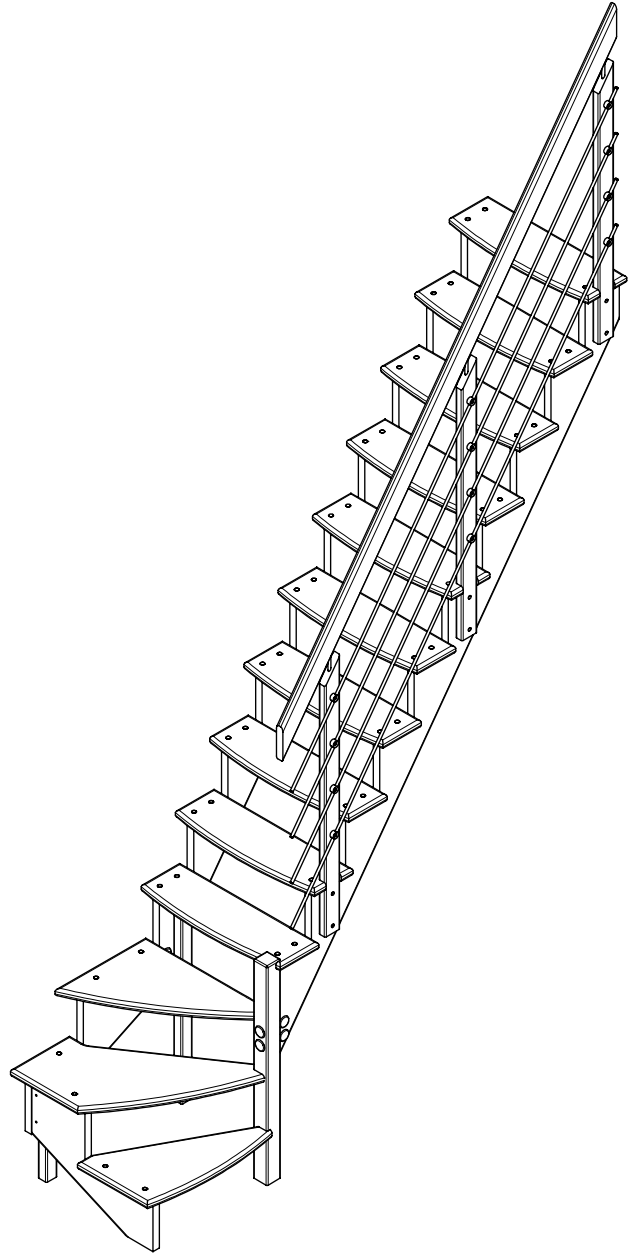
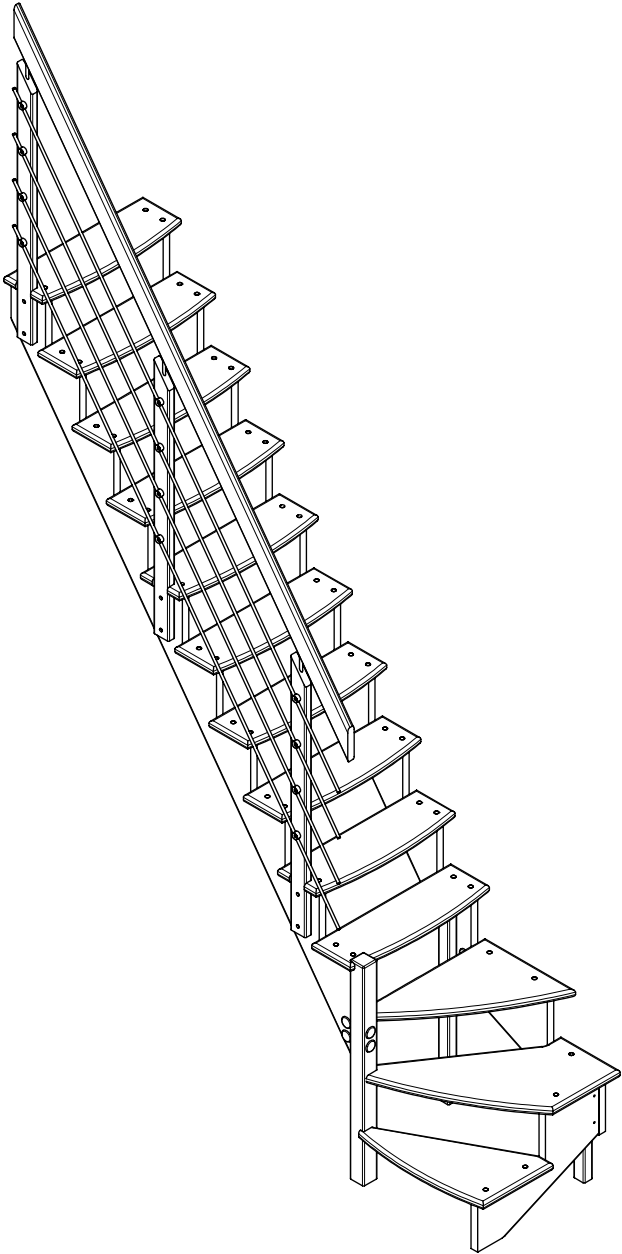
- Charge répartie: 3 kN/m² (300 kg/m²)
- Charge ponctuelle: 2 kN (200 kg)

Belasting:

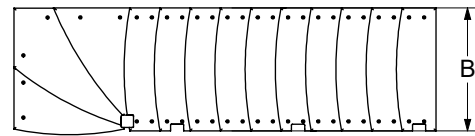
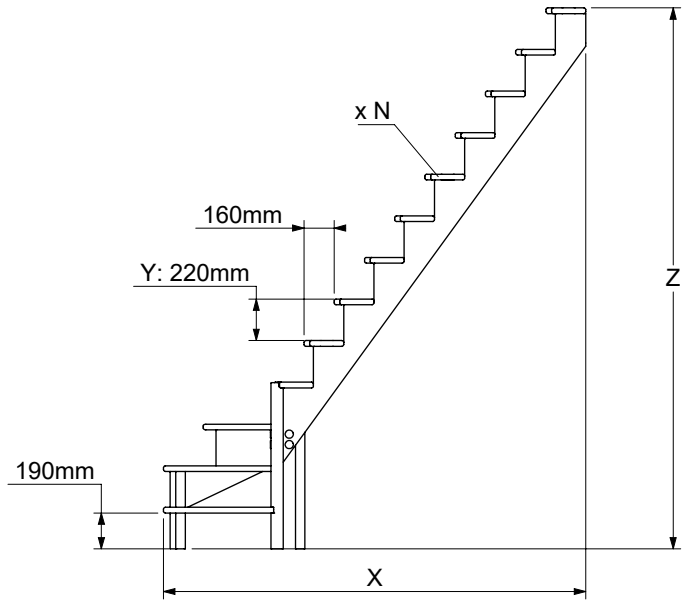
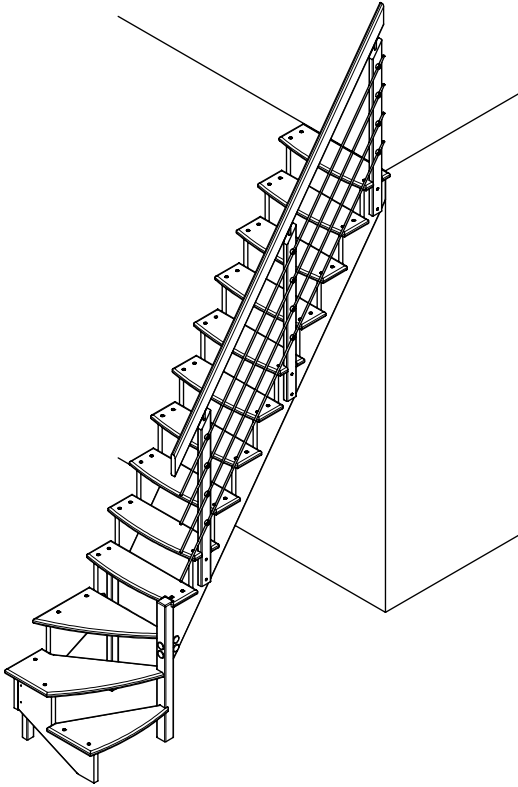
- Verdeelde belasting: 3 kN/m² (300 kg/m²)
- Puntbelasting: 2 kN (200 kg)

Carico di esercizio:

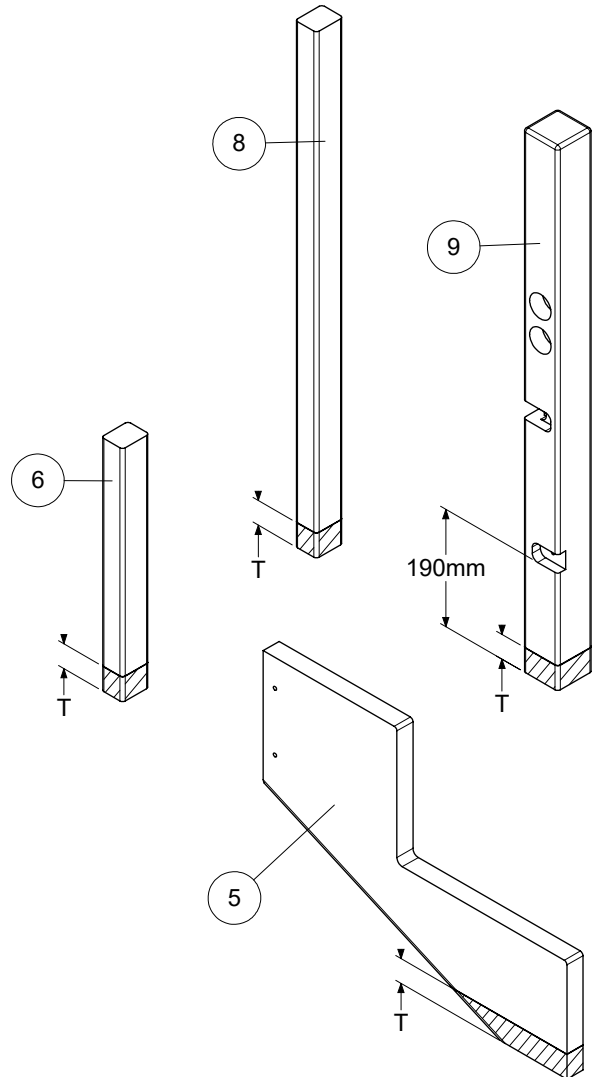
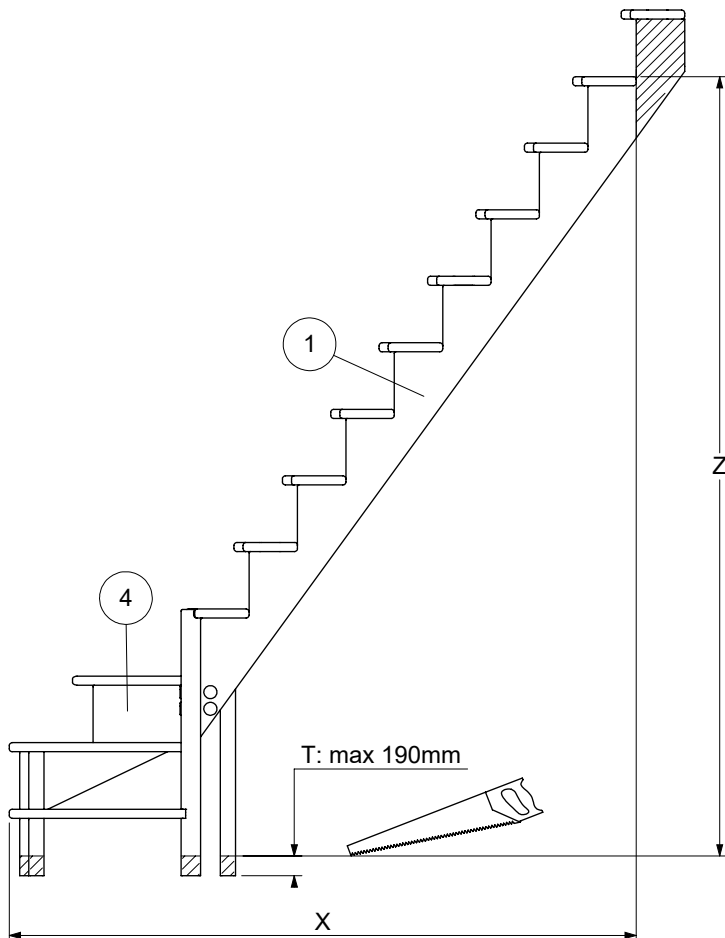
- Carico distribuito: 3 kN/m² (300 kg/m²)
- Carico puntuale: 2 kN (200 kg)



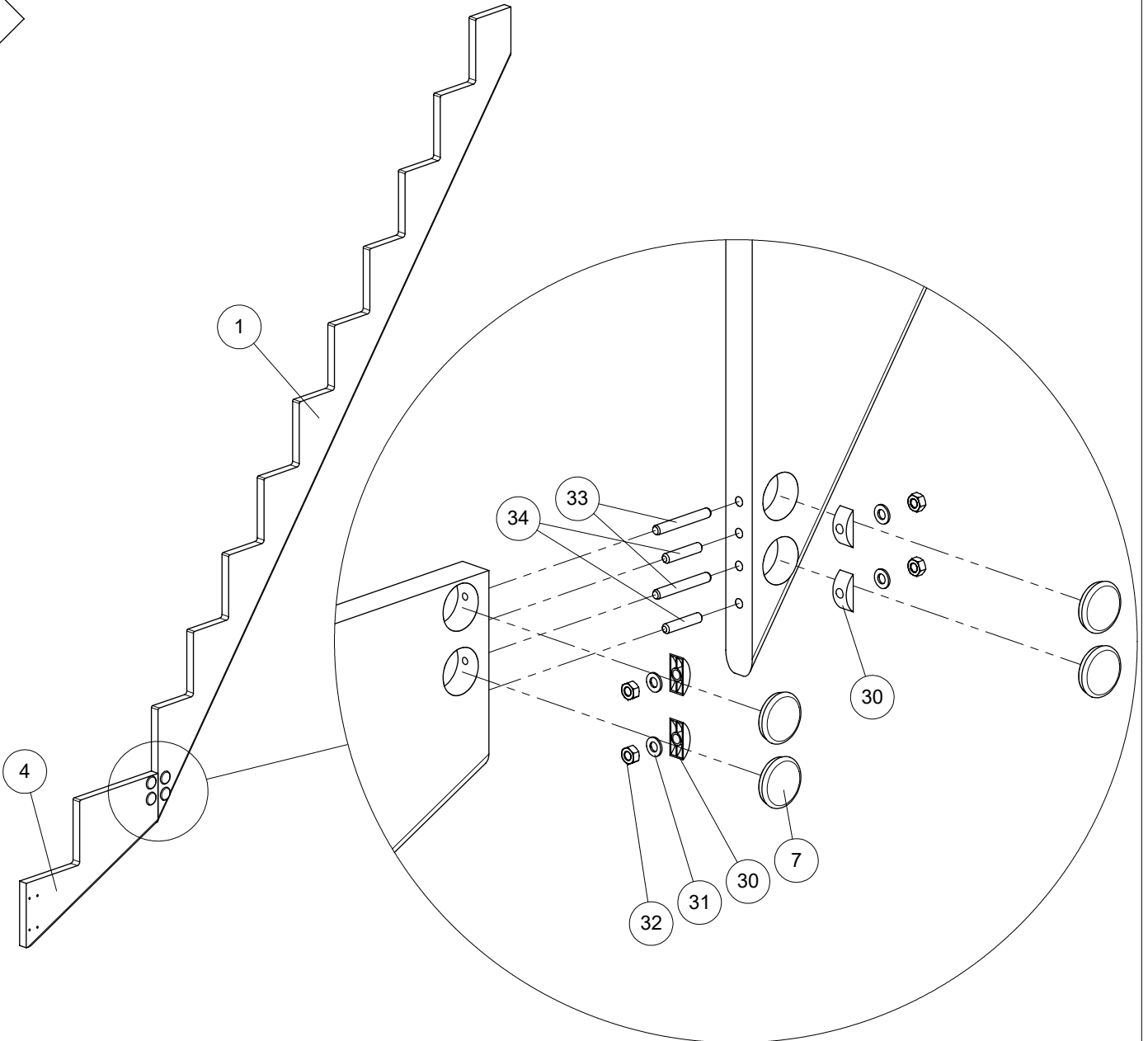
1



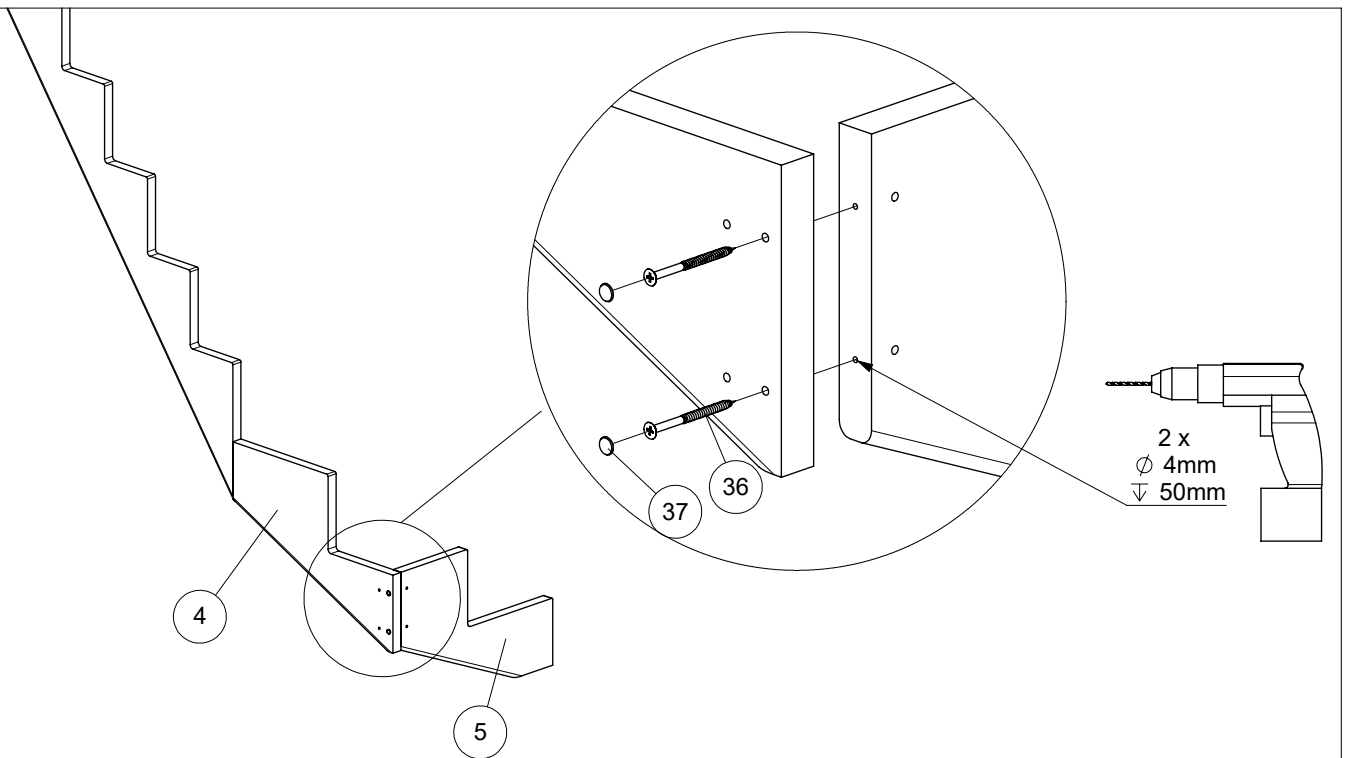
Y: 220mm			
N [st / p]	Z [mm]	X [mm]	
		B: 650mm	B: 750mm
11	2420	1913	2013
12	2640	2073	2173
13	2860	2233	2333

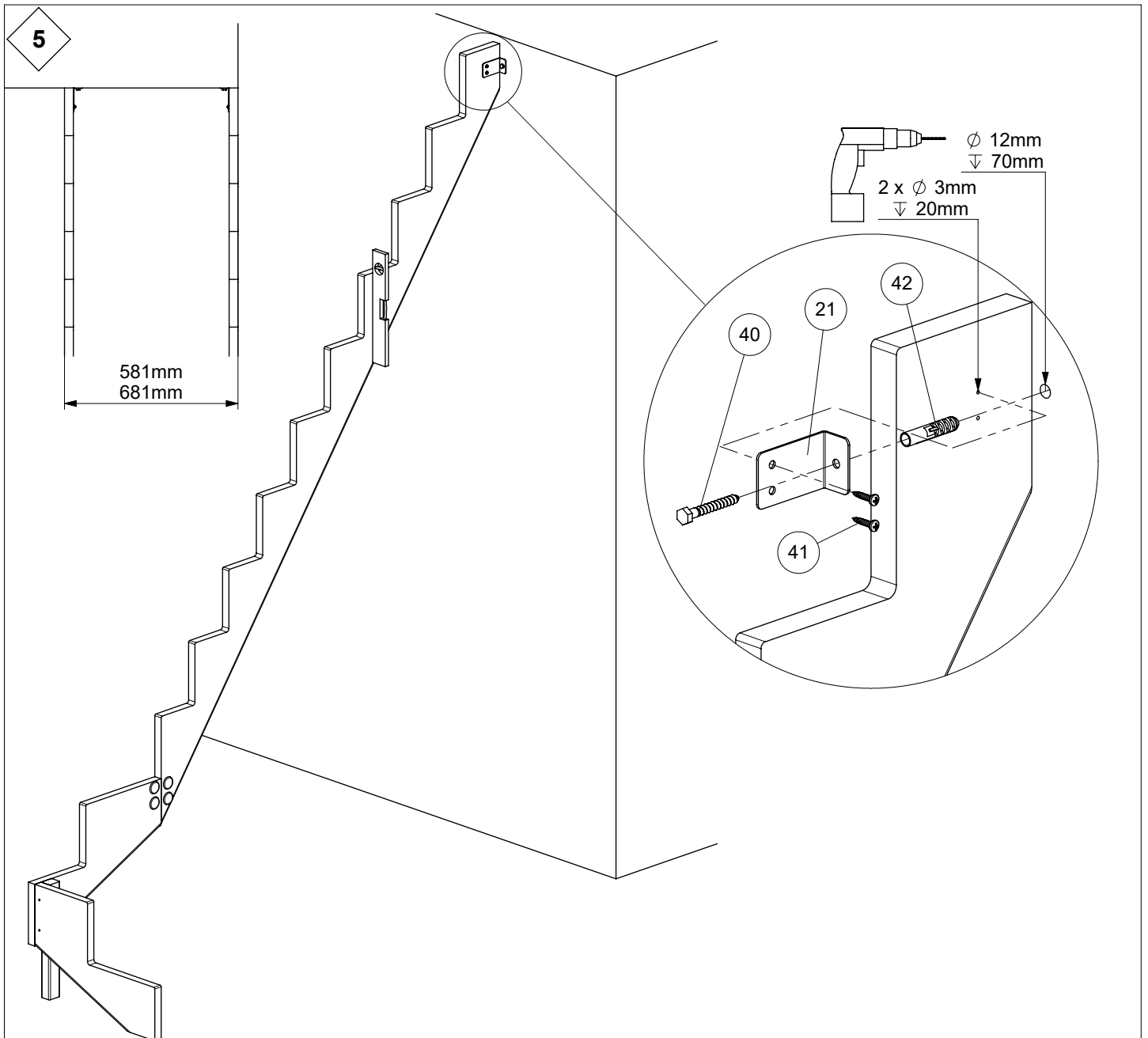
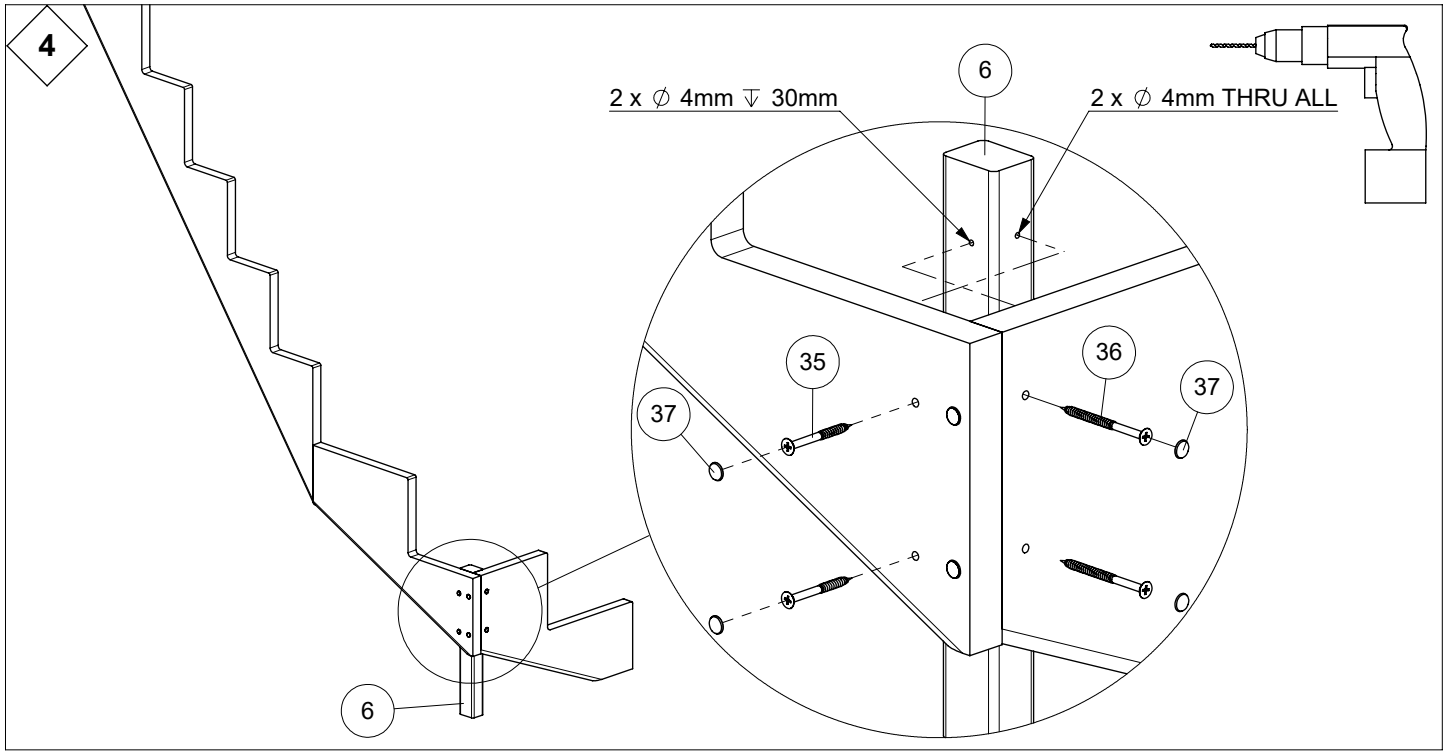


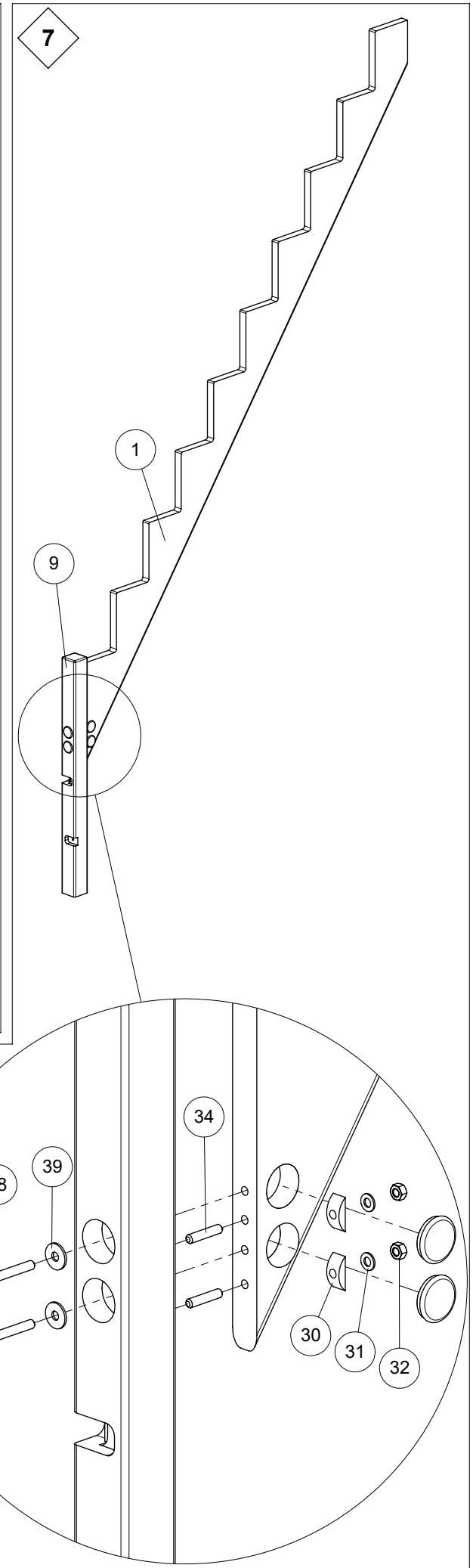
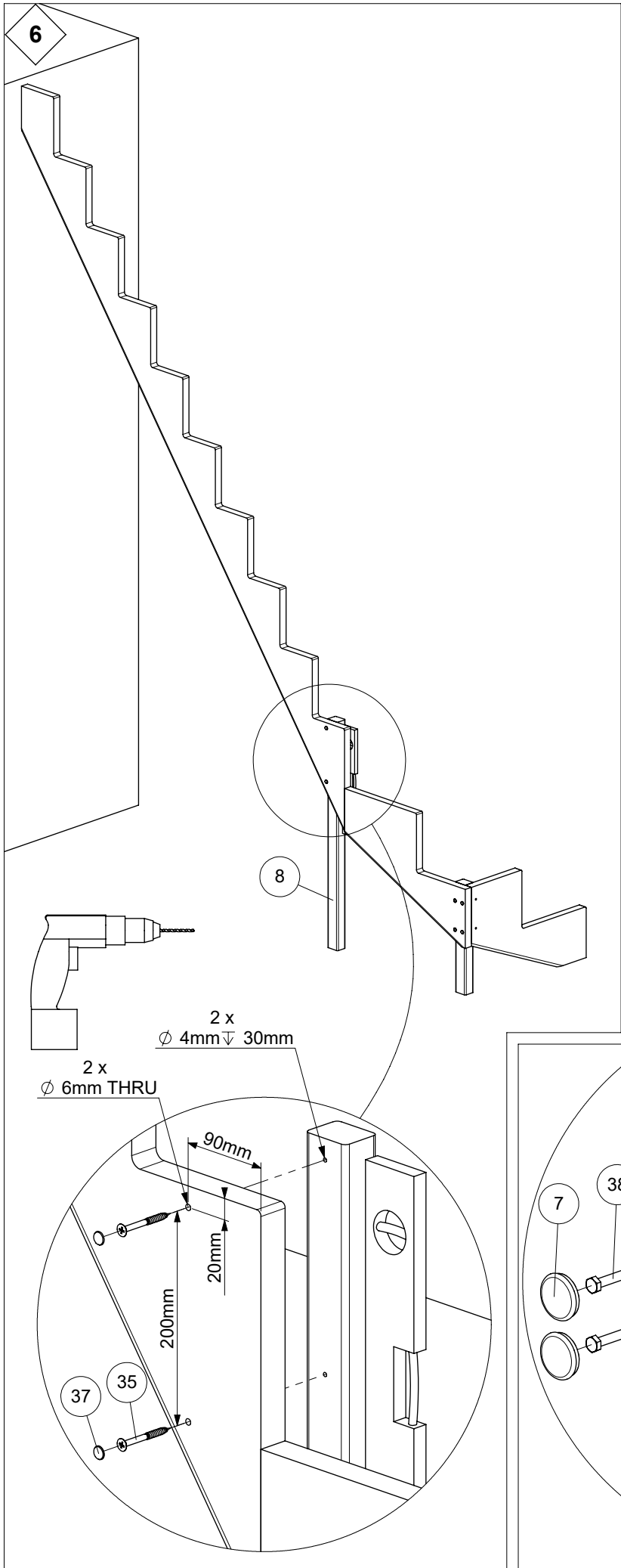
2



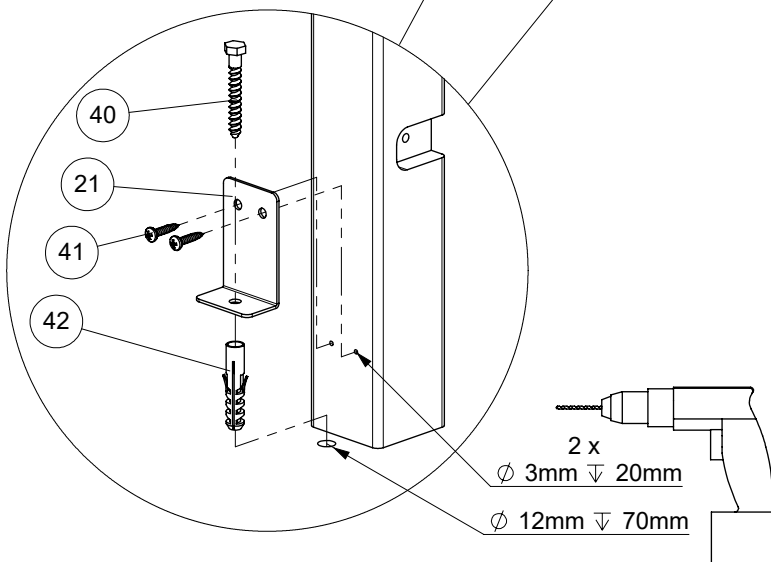
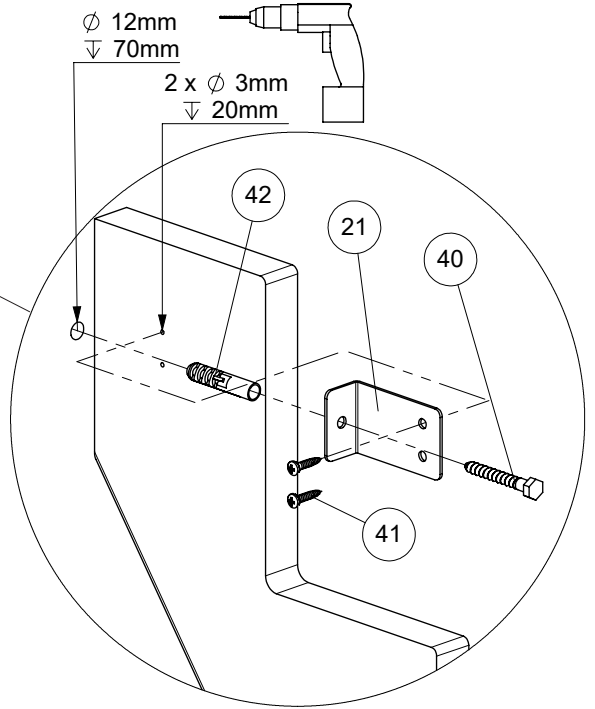
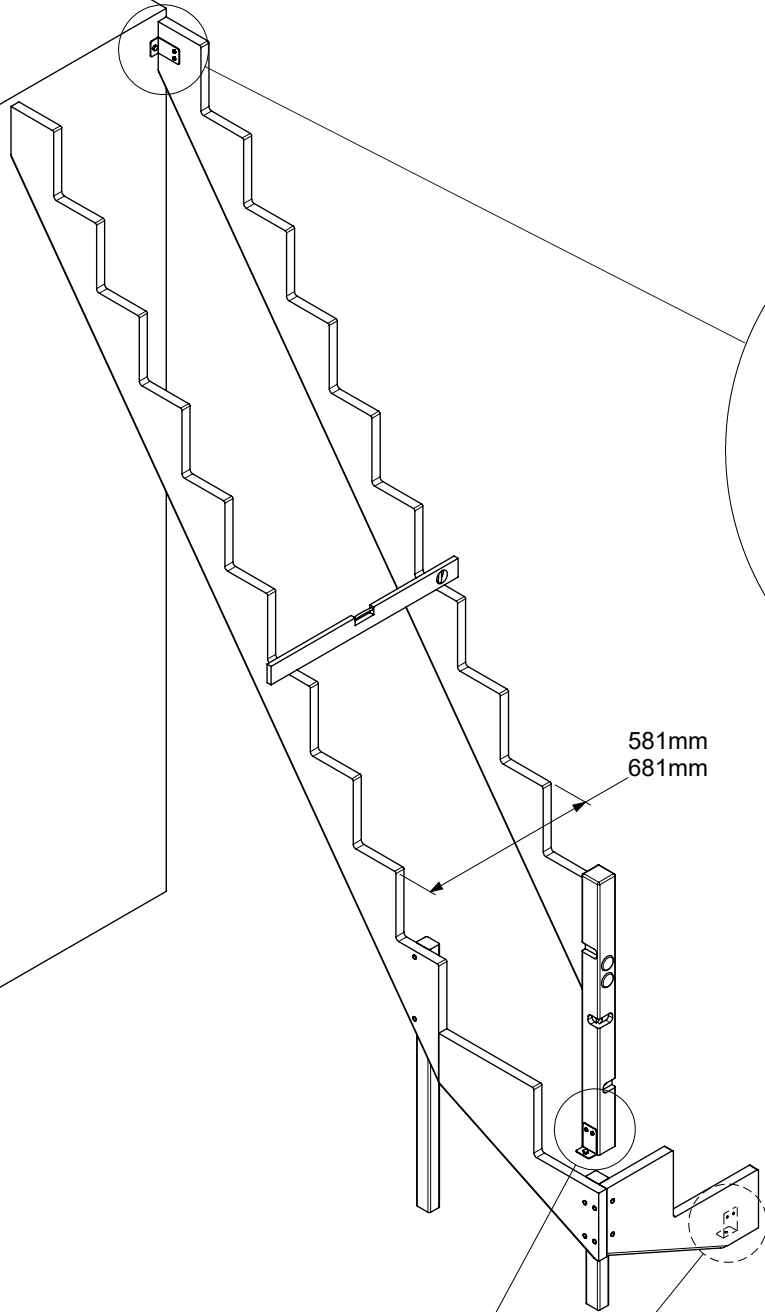
3



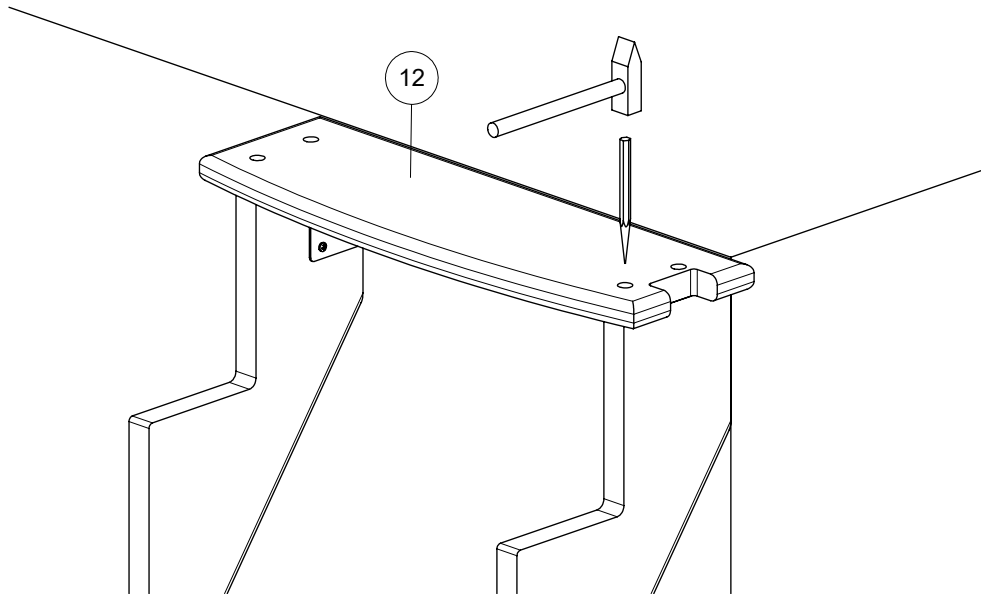
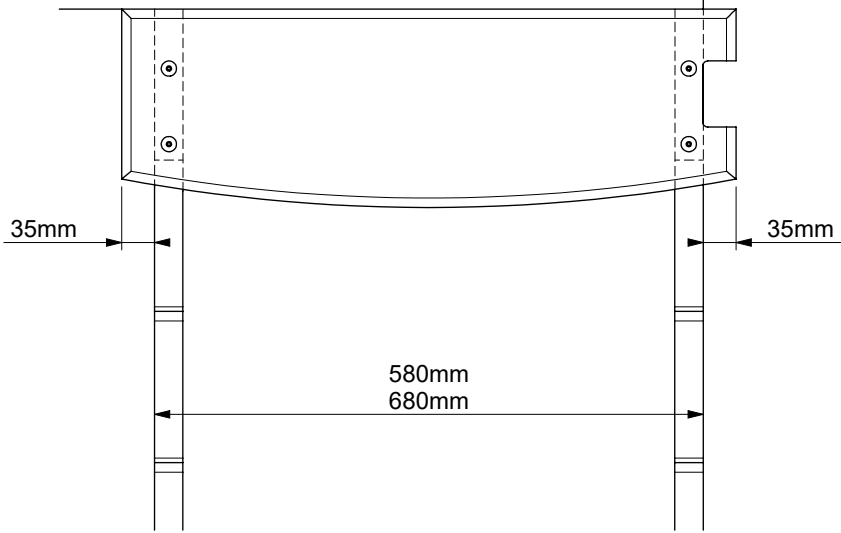




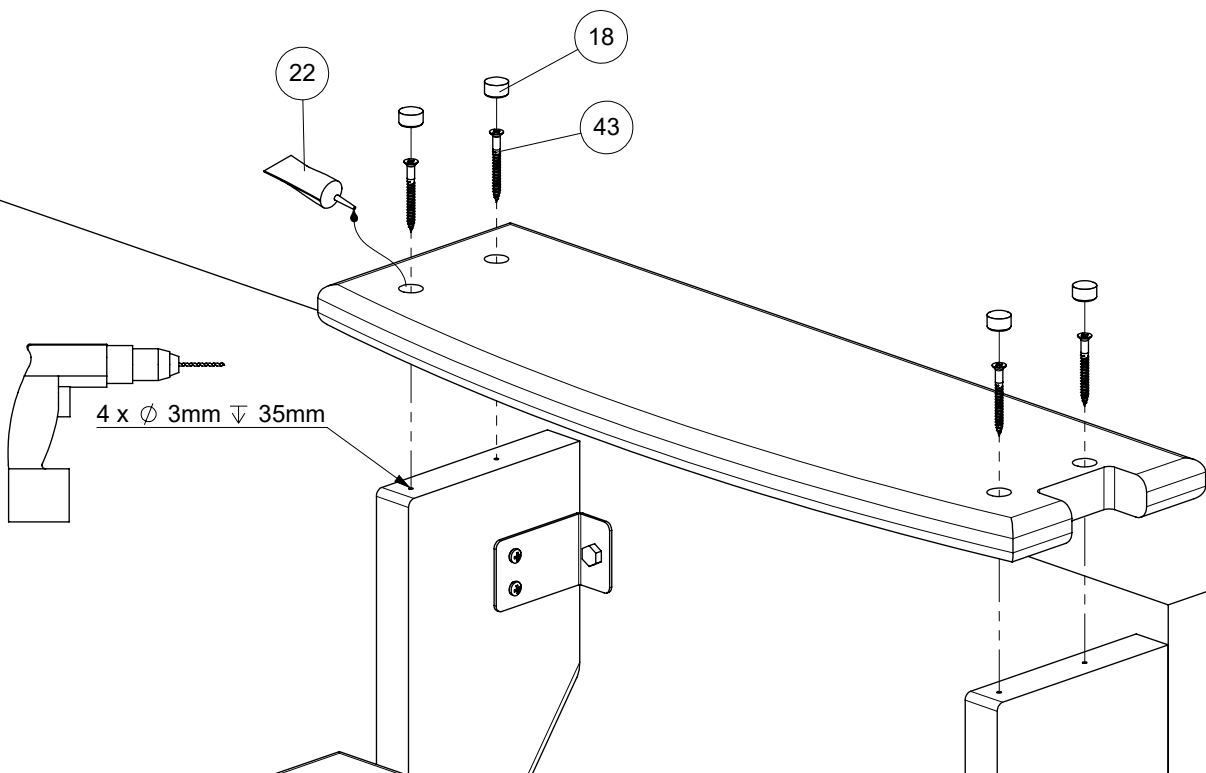
8

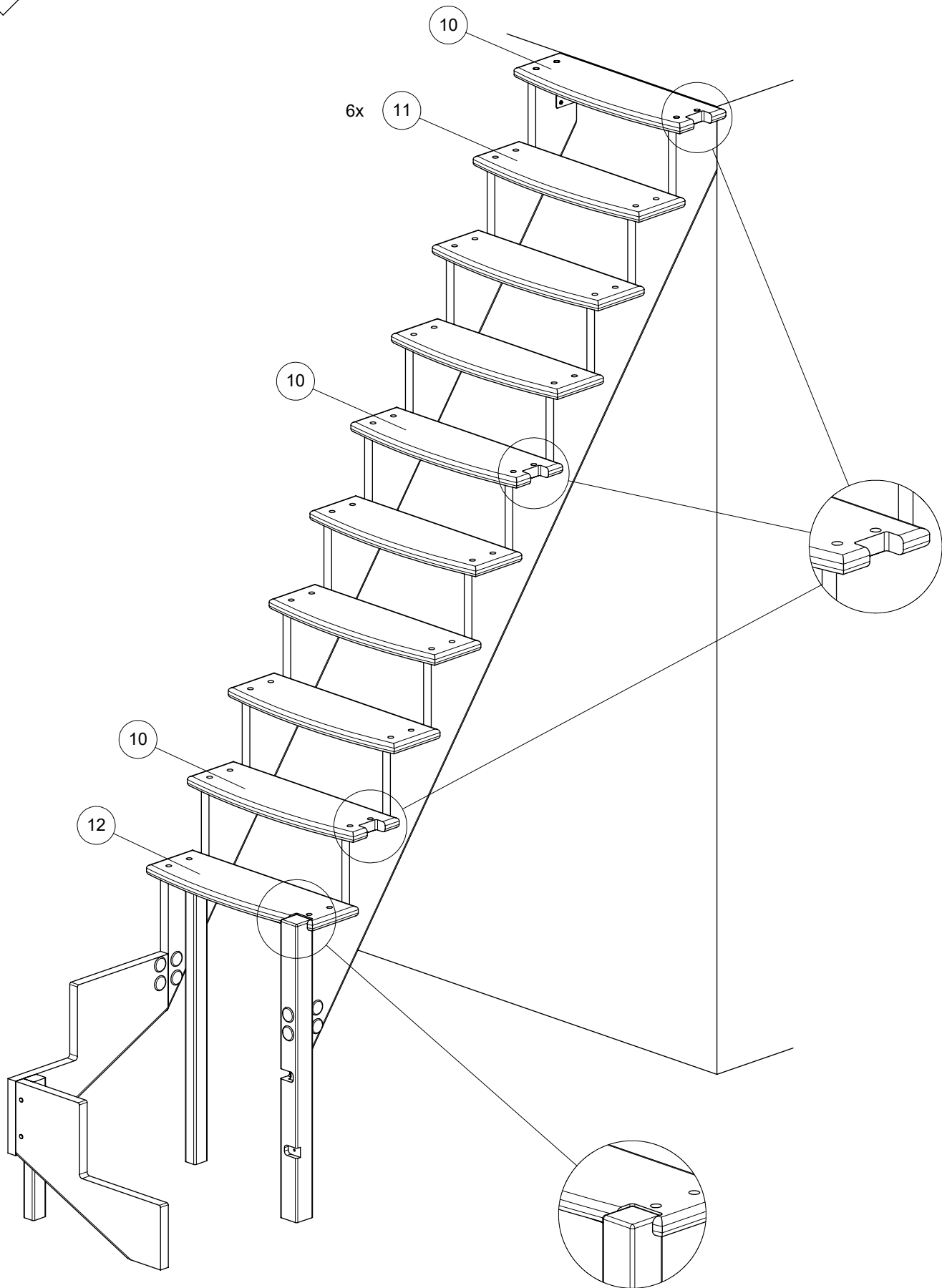


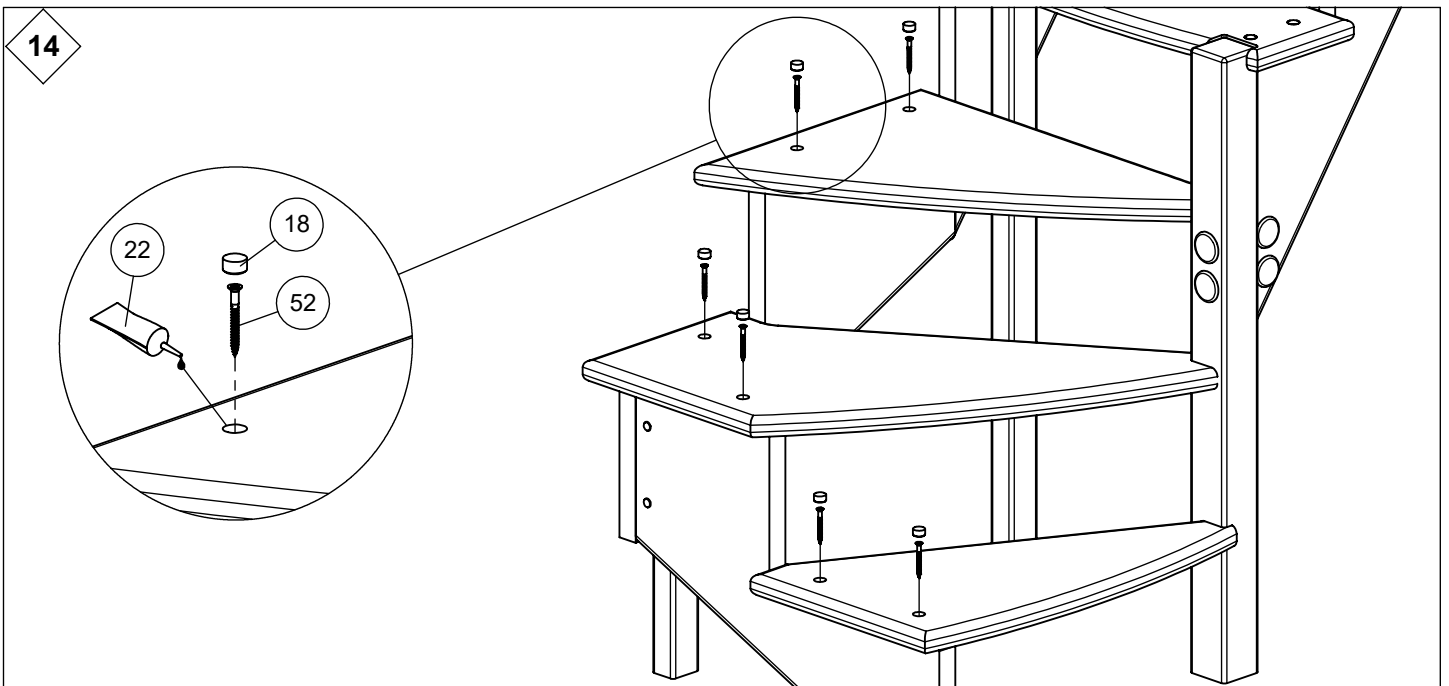
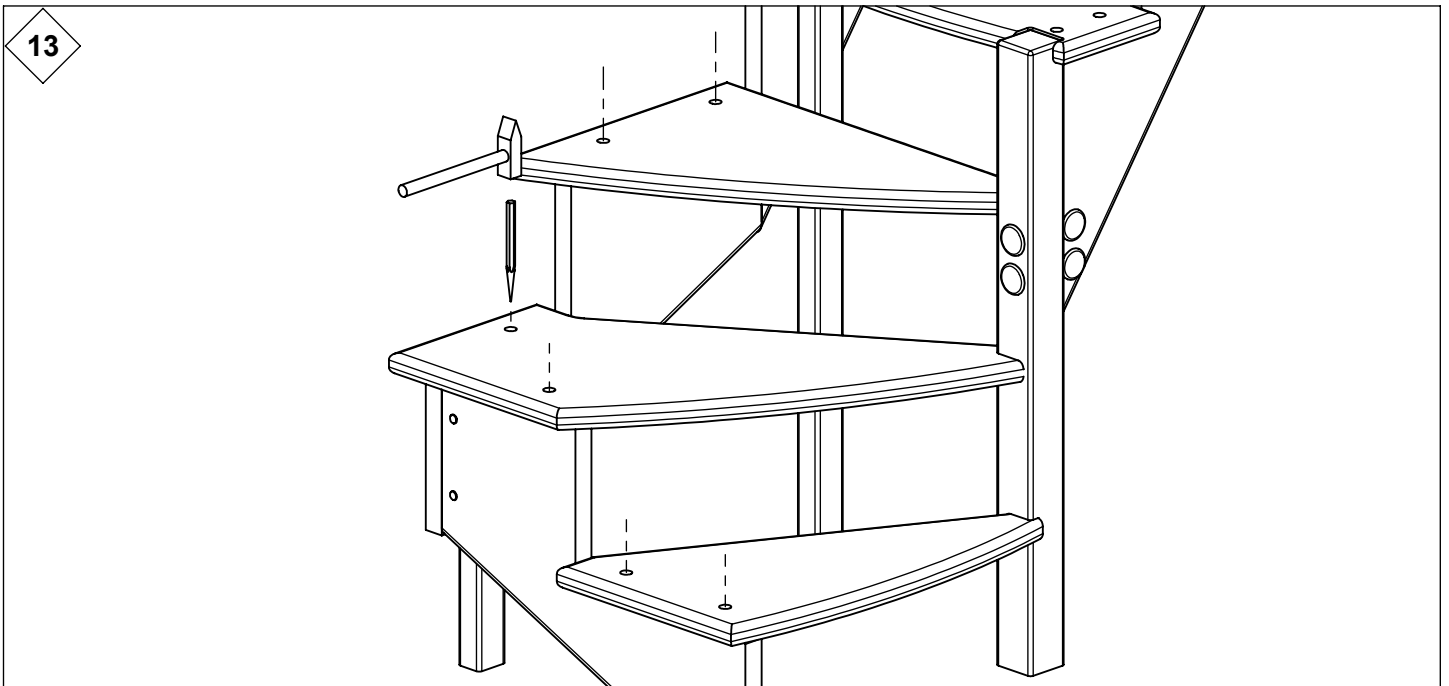
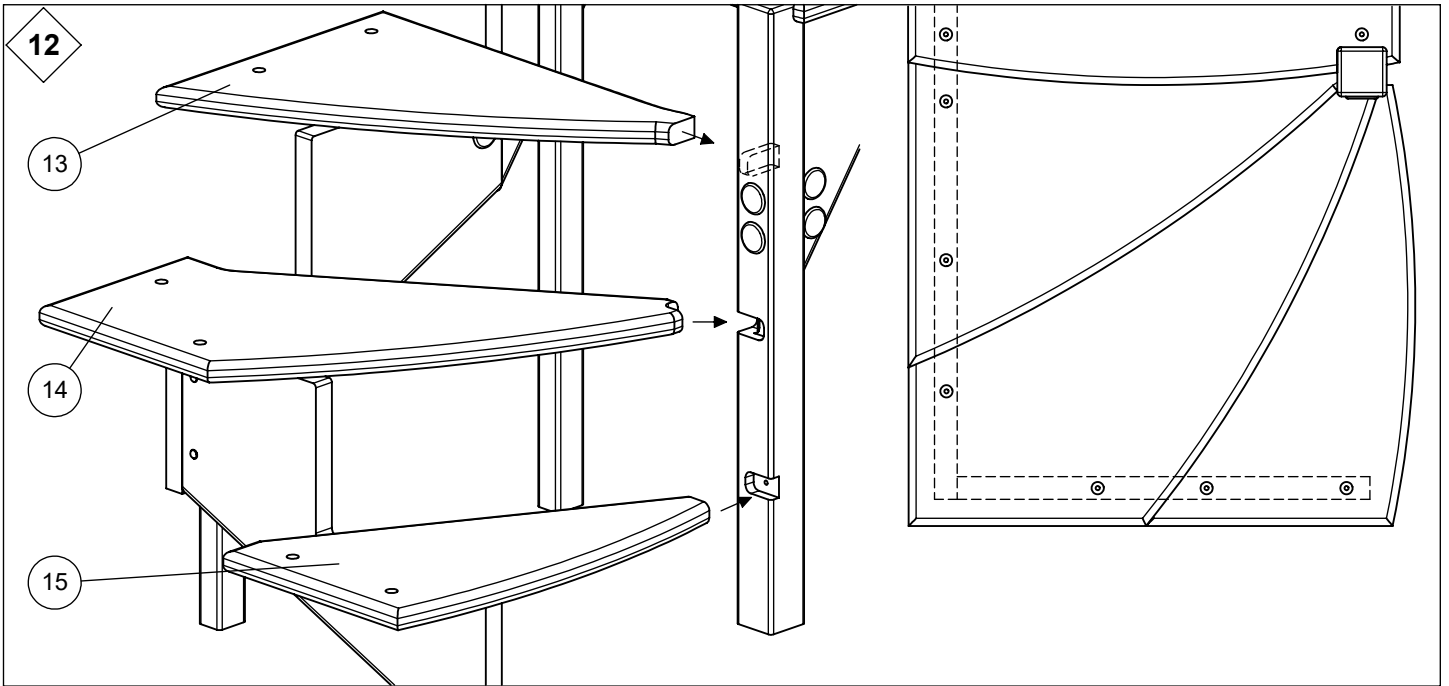
9

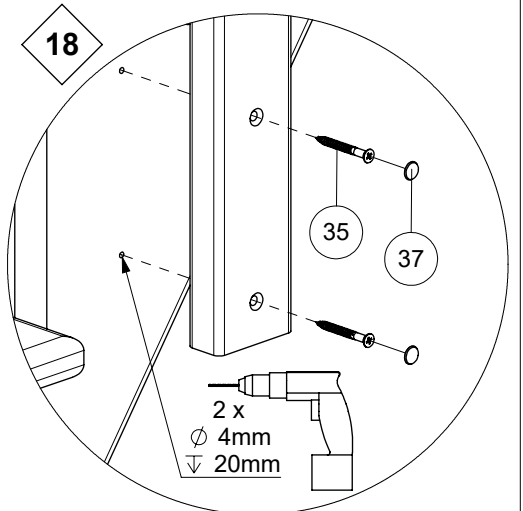
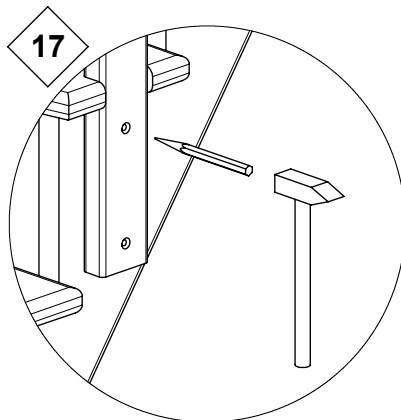
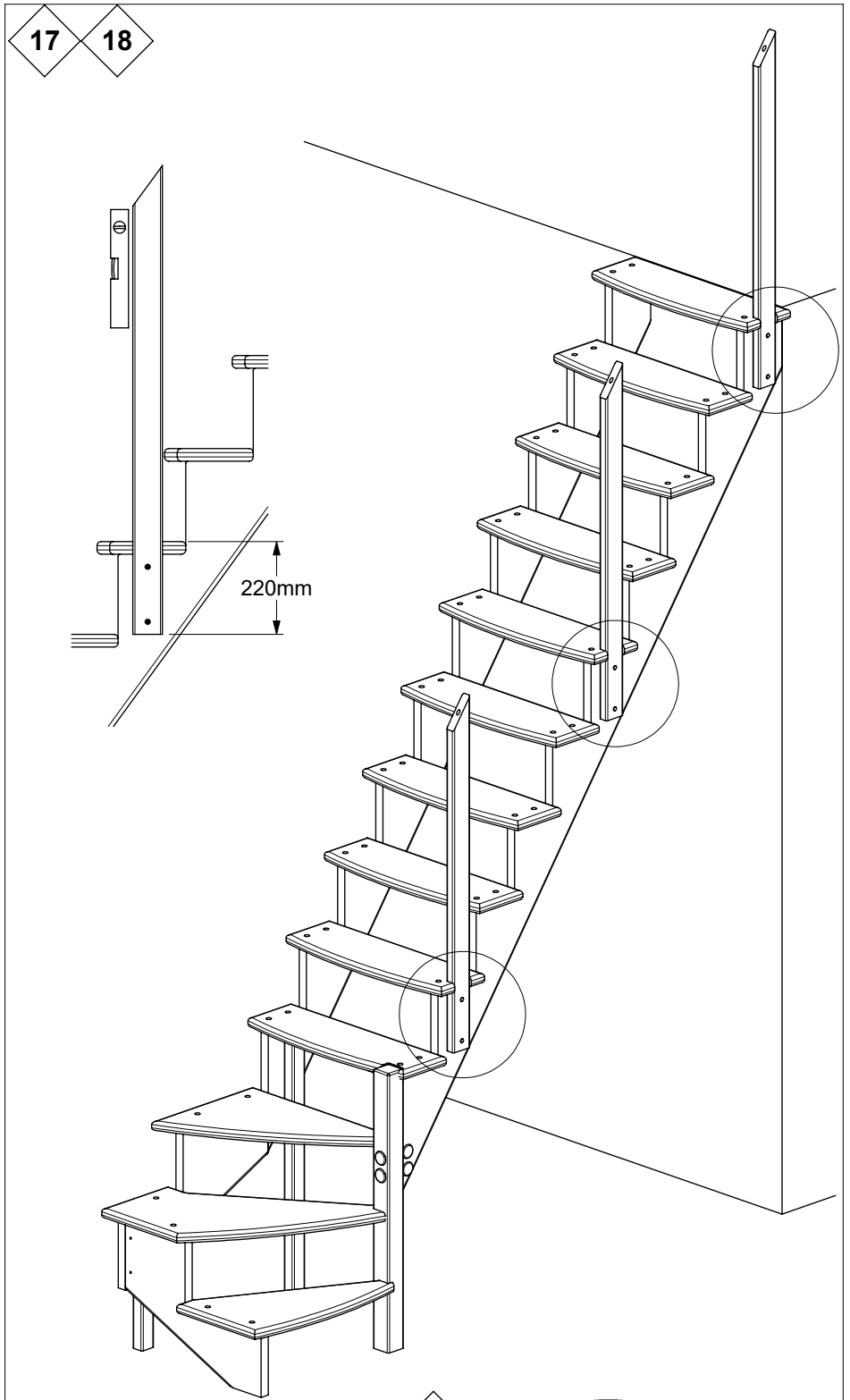
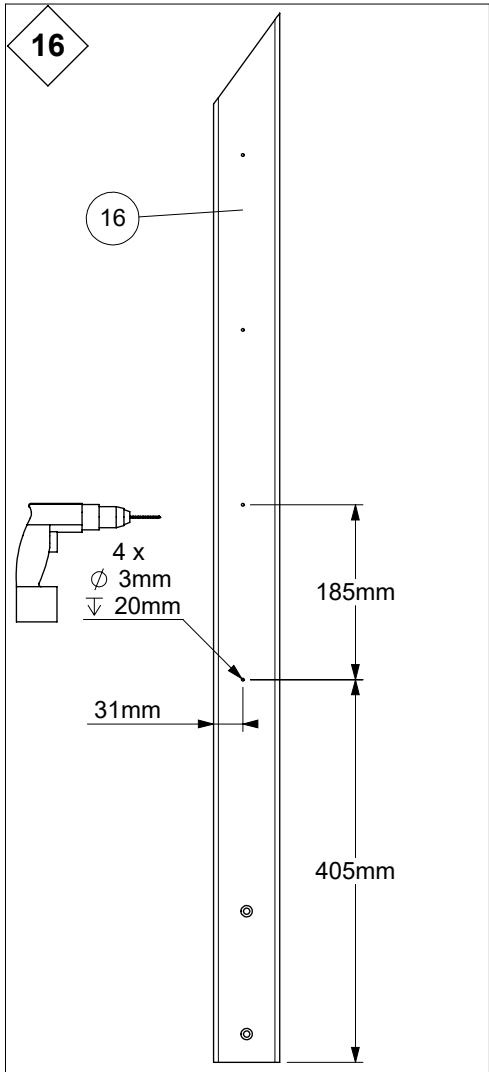
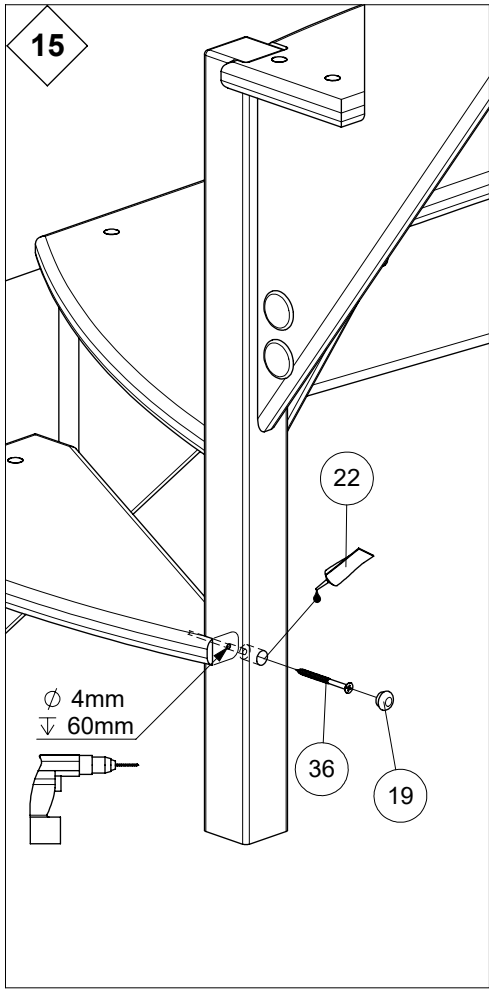


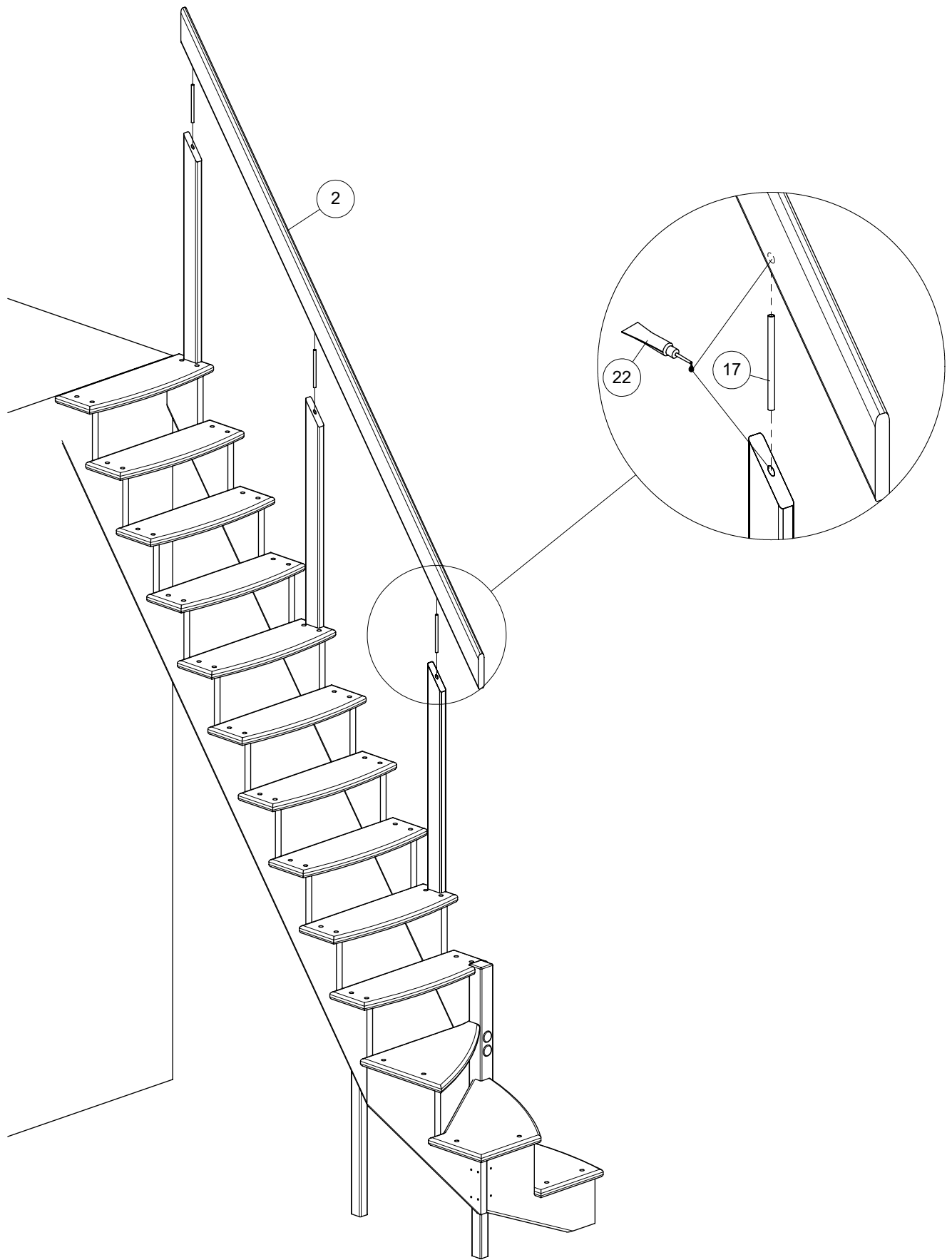
10



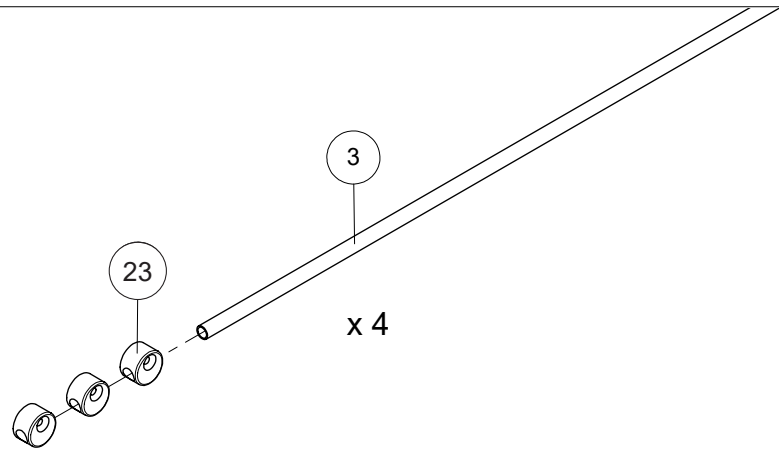








20



21

