

Antal	Beskrivning
-------	-------------

1

COMFORT 15-14 BA PM



OBS! Bilden på produkten kan avvika från aktuell produkt

Art.nr.: [97916757](#)

The Grundfos Comfort BA PM and BXA PM pumps are designed for recirculation of domestic hot water in single-family and two-family houses securing hot water instantly to all faucets.

The pumps have a corrosion-resistant pump housing suitable for drinking water and are powered by a single-phase, high-efficiency ECM with permanent-magnet rotor.

The AUTOADAPT function incorporates an event log that learns the scheme of demand for hot water in the domestic hot-water system.

Via the event log, the pump predicts when to start circulating hot water ensuring hot water is instantly available at all use points.

Should the consumption pattern change, for example during holidays, the pump will recognise the standstill after 24 hours and automatically adapts to holiday mode.

When returning from holiday, the pump will automatically resume the same consumption pattern as before the holiday.

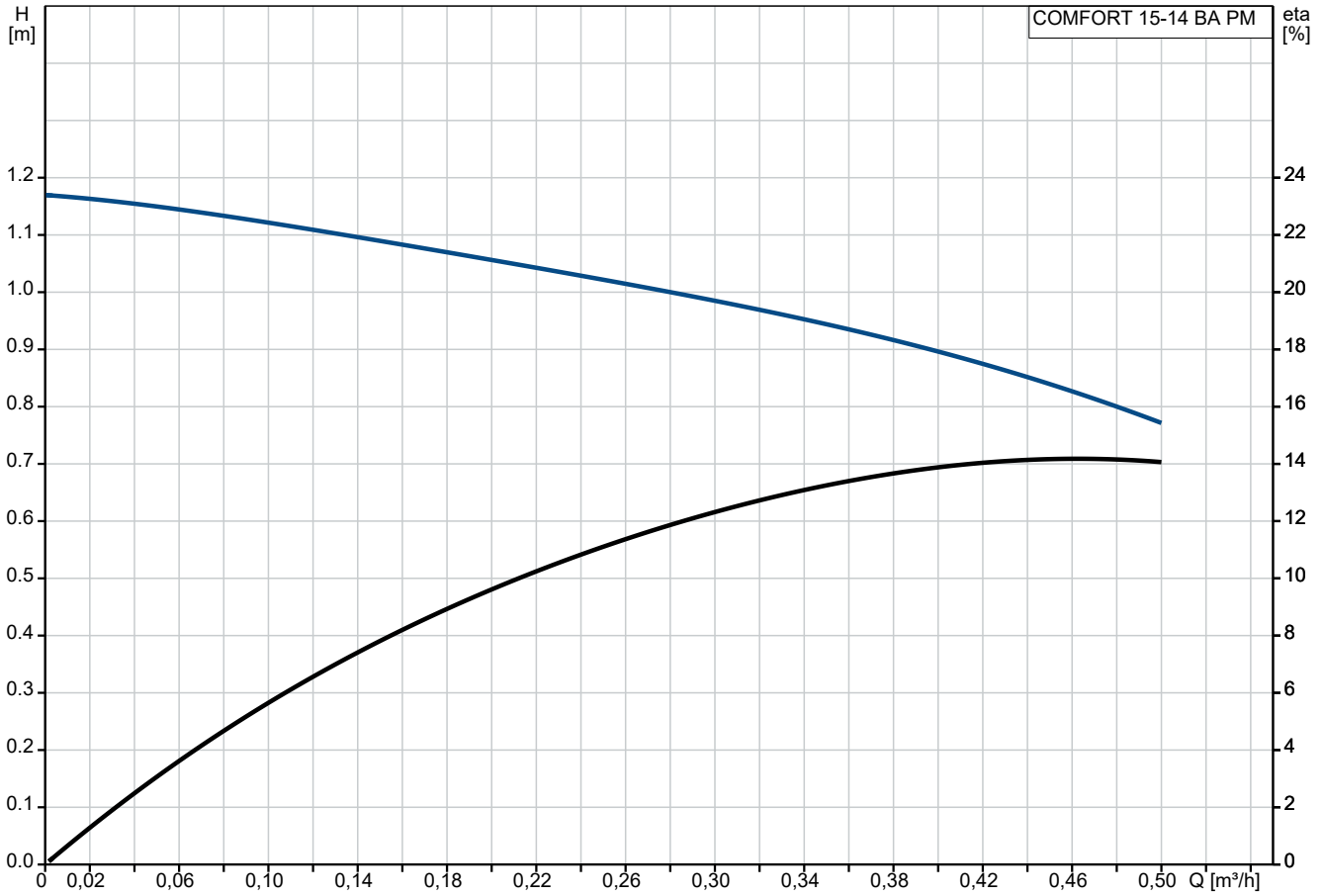
The unique AUTOADAPT feature is saving up to 48 % heat energy and 97 % motor energy compared with a standard pump in continuous operation.

Additionally, the pump can be set to temperature control mode and continuous operation 100 % for commissioning of the pump or 24 hours instant hot water.

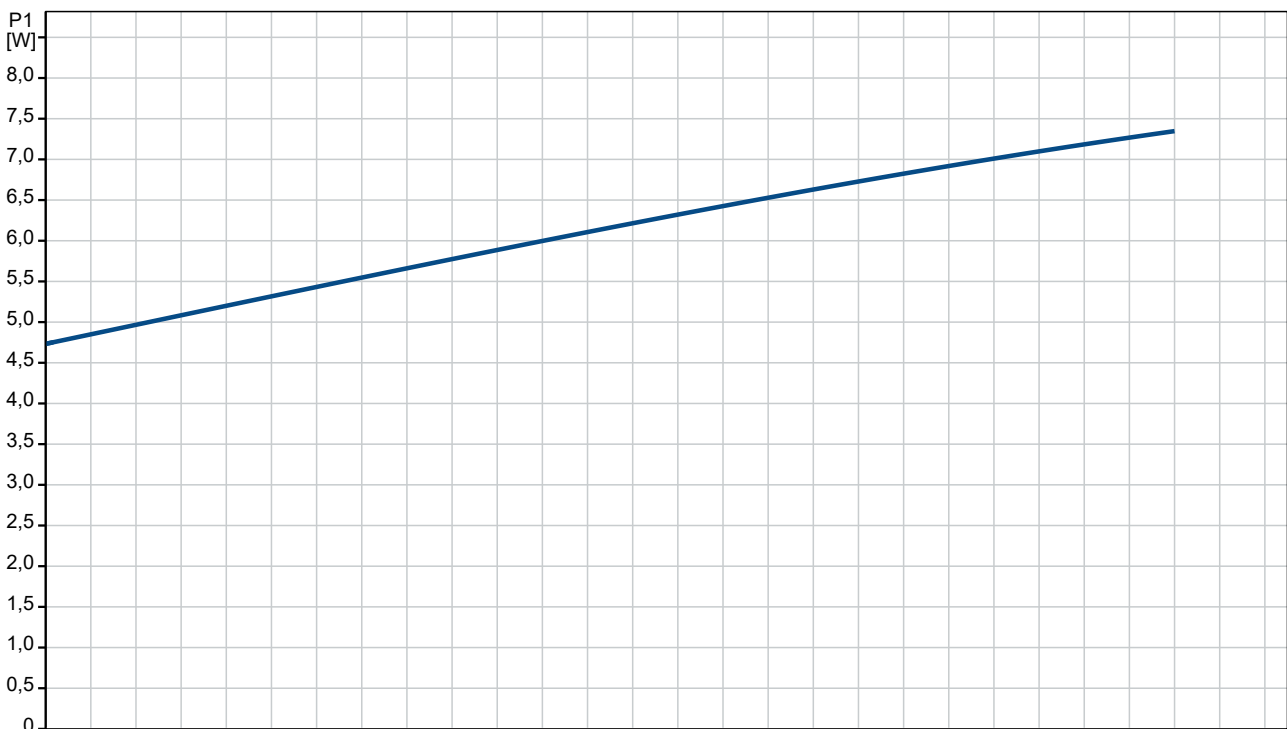
The pumps are equipped with a flushing and disinfection function which automatically circulates water to protect against bacterial growth in the pipes.

COMFORT BXA PM has a built-in isolating valve and a non-return valve (fitting). This ensures that maintenance can be carried out without draining the system. The non-return valve also prevents reversed flow during operation.

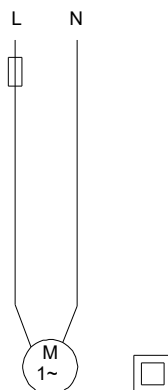
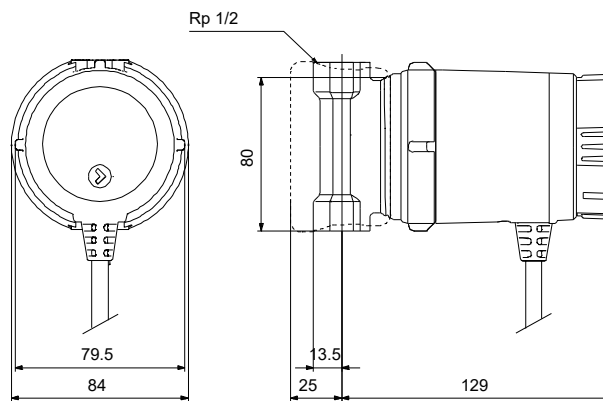
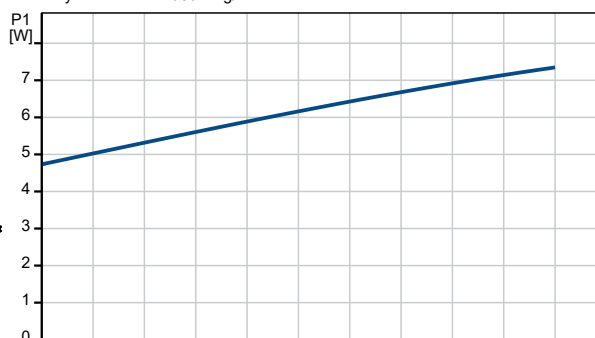
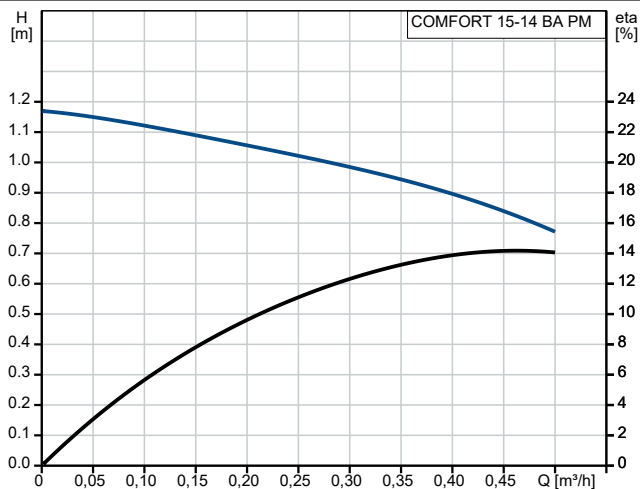
97916757 COMFORT 15-14 BA PM



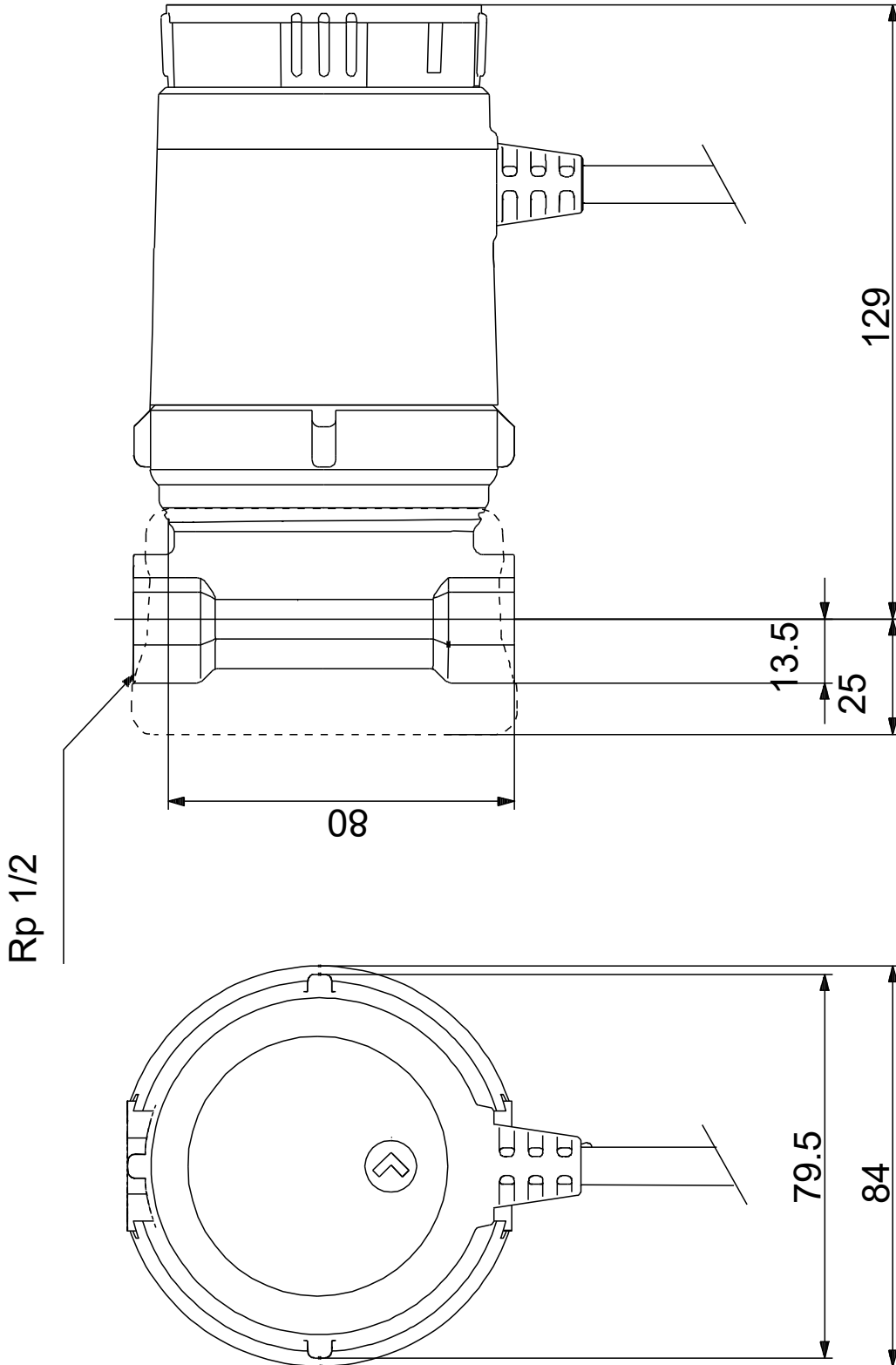
Transporterad vätska = Vatten
Vätsketemperatur under drift = 60 °C
Volymetrisk vikt = 983.2 kg/m³



Beskrivning	Värde
Generell information:	
Produktnamn:	COMFORT 15-14 BA PM
Art. nr:	97916757
EAN nummer:	5710626363506
Tekniskt:	
Varvtal:	1
Nominellt flöde:	0.41 m ³ /h
Nominellt tryck:	0.9 m
Lyfthöjd max.:	14 dm
TF klass:	95
Godkännanden:	CE, VDE, EAC, WEEE
Material:	
Pumphus:	Brass
Pumphus:	CuZn39Pb3, MS58
Pumphjul:	Composite
Pumphjul:	PES+30% GF
Installation:	
Min. omgivningstemperatur:	0 °C
Max. driftstryck:	10 bar
Anslutningstyp:	Rp
Storlek för anslutning:	1/2 inch
Trycksteg för röranslutning:	PN 10
Bygglängd:	80 mm
Vätska:	
Pumpad vätska:	Vatten
Vätsketemperatur område:	2 .. 95 °C
Vätsketemperatur under drift:	60 °C
Densitet:	983.2 kg/m ³
Elektriskdata:	
Uttagen effekt på hastighet 3:	7 W
Nätfrekvens:	50 / 60 Hz
Nominell spänning:	1 x 230 V
Ström, hastighet 3:	0.07 A
Kondensatorstorlek - kör:	0.6 µF
Kapslingsklass (EC 34-5):	IP44
Isolationsklass (IEC 85):	F
Inbyggt motorskydd:	ELECT.
Termiskt skydd:	Impedansskyddad
Styrningar:	
Operation mode include:	Temperature
Övriga:	
Nettovikt:	0.98 kg
Bruttovikt:	1.08 kg
Leveransvolym:	0.003 m ³
Danskt VVS No.:	380634014
Svenskt RSK nr.:	5803088
Norskt NRF nr.:	9042115
Ursprungsland:	DE
Varukod:	84137030



97916757 COMFORT 15-14 BA PM



OBS! Alla mått anges i (mm) om inte annat anges. Ansvarsfriskrivning: Denna förenklade måttskiss visar inte alla detaljer.

97916757 COMFORT 15-14 BA PM



OBS! Alla enheter anges som [mm] om inget annat visas.