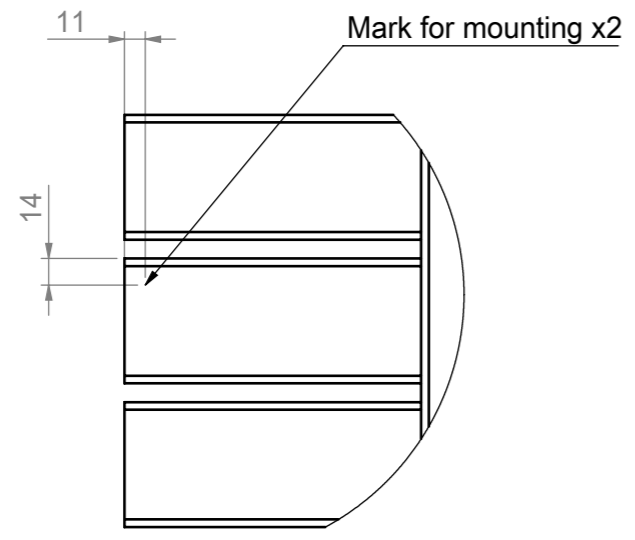
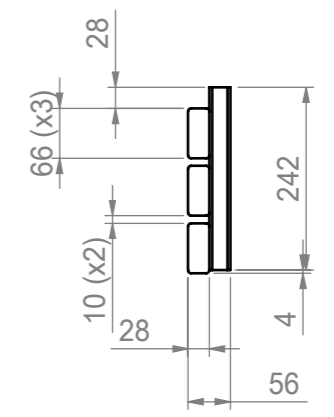
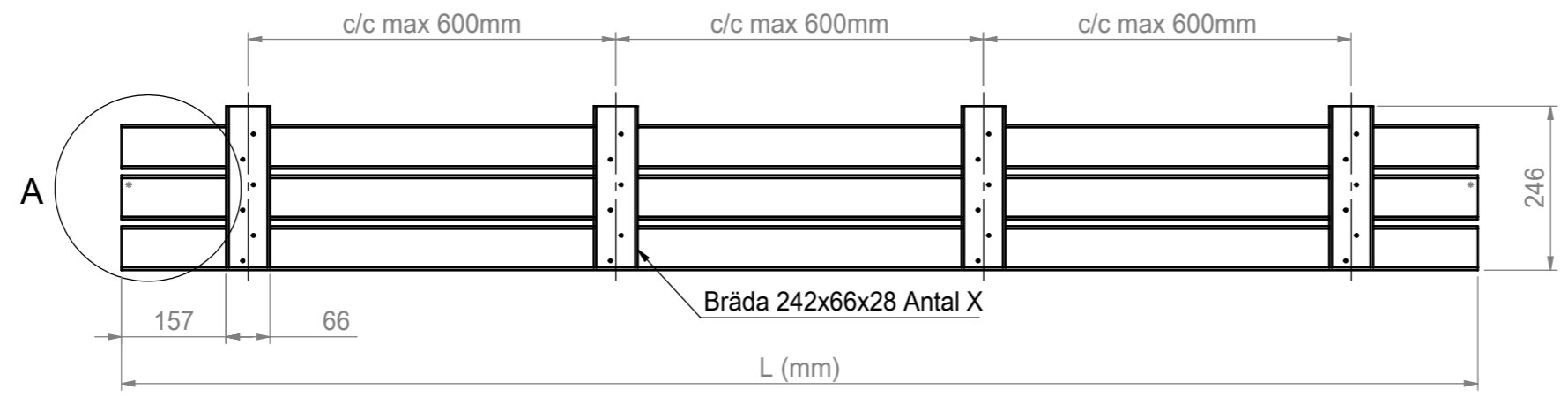
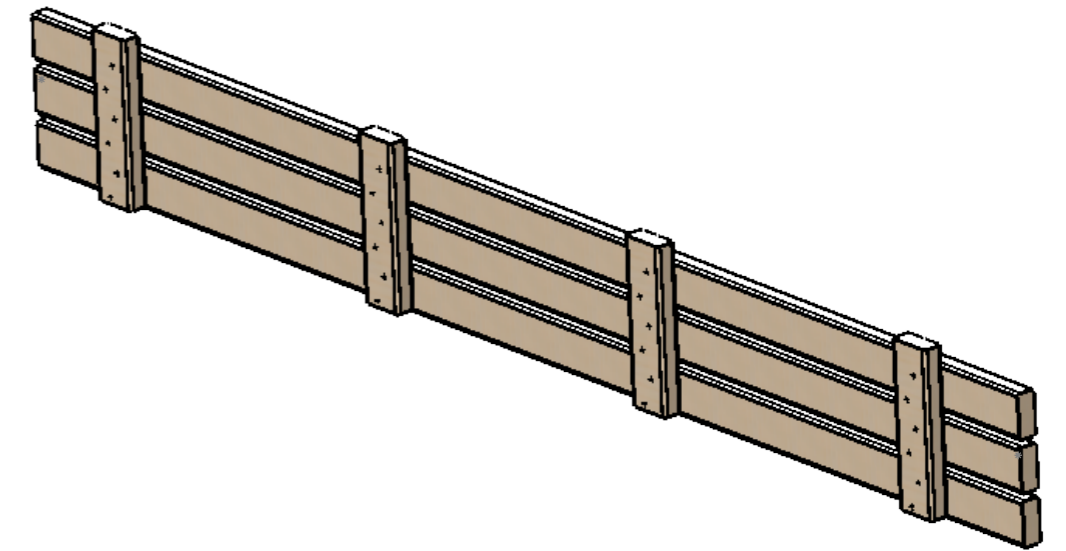


This document must not be copied without our written permission, and the contents thereof must not be imparted to a third party nor be used for any unauthorized purpose. Contravention will be prosecuted.


Rev.	Changes and/or mess.-no	Datum	Approved by



A (1 : 4)



L (mm)	Antal X
0-980	2
981-1580	3
1581-2180	4
2181-2780	5
2781-3380	6

Tolerance for other dimensions		Material		Article No.	
Designed by	Drawn by	Approved by	Replaces	Replaced by	Date
	LH				2017-08-23
Description			Page		State
 Dekorraster Classic			1 (1)		Draft
Sauna Room				Drawing No.	
				TH002202	
				Rev.	

1 2 3 4 5 6 7 8

A

B

C

D

E

F

A

B

C

D

E

F

1 2 3 4 5 6 7 8